



Wet/Dry Vacuums

Operator's Manual



Model No.
VMVQ1530SWDC

FOR YOUR SAFETY

Read and understand this manual before use
Keep this manual for future reference



TABLE OF CONTENTS

SECTION	Page
Warranty	2
Safety Instructions and Warnings.....	2
Specifications.....	5
Unpacking and Checking Carton Contents	6
General Assembly Instructions	7
Switching on/off.....	8
Dry Vacuum Operation	9
Power tool vacuuming	10
Liquid Vacuum Operation	11
Blowing Operation.....	12
Maintenance	12
Installing & Cleaning Cartridge Filter	13
Installing & Cleaning Foam Sleeve Filter.....	13
Troubleshooting	14
Exploded View and Parts List	15

Thank you for purchasing this Vacmaster® wet/dry vacuum cleaner. Feel confident that with Vacmaster® you are obtaining a high quality product engineered for optimal performance. This vacuum is capable of picking up liquids and dry materials.

FOR YOUR SAFETY: CAREFULLY READ AND UNDERSTAND ALL INSTRUCTIONS

WARRANTY

Vacmaster® takes pride in producing a high quality, durable product. This Vacmaster® product carries a limited two (2) year warranty against defects in workmanship and materials from date of purchase under normal household use. Warranty does not apply to defects due to direct or indirect abuse, negligence, misuse, accidents, repairs or alterations and lack of maintenance. Please keep you receipt as proof of purchase.

SAFETY INSTRUCTIONS & WARNINGS

IMPORTANT SAFETY INSTRUCTIONS



Read and understand all instructions before using this vacuum

Read and understand this owner's manual and all labels on the Wet/Dry Vacuum cleaner before operating. Safety is a combination of common sense, staying alert and knowing how your vacuum works. Use this Wet/Dry Vac only as described in this manual. To reduce the risk of personal injury or damage to your Wet/Dry Vac, use only Vacmaster® recommended accessories.

SAVE THIS MANUAL FOR FUTURE REFERENCE.

When using an electrical appliance, basic precautions should always be followed including the following :

WARNING: TO REDUCE THE RISK OF FIRE, ELECTRIC SHOCK OR INJURY:

- This appliance complies with the compulsory safety regulations for electric equipment. However, improper use can be harmful to people and property. Please read these operating instructions through carefully and completely before switching the appliance on. Keep the operating instructions, the guarantee certificate, the receipt, as well as the packaging and packaging material if at all possible.
- This appliance is designed solely for use in the private sector and for the designated purpose. The appliance is not suitable for commercial use. Don't use the appliance outdoors. Don't subject the appliance to heat, direct sunshine or very high moisture (e.g. rain). Never immerse
- The appliance in liquids and be aware of sharp edges that may damage it.
- This wet/dry vacuum cleaner may only be used and kept in a private home.
- The appliance is designed to vacuum up materials that are not hazardous to your health and that are not flammable.
- Never hold the connectors in front of your face (especially your eyes, ears, etc.) Never direct the nozzle towards persons or animals.
- Only use the appliance for its designated purpose. Any other types of use are at your own risk and are possibly dangerous.
- Other uses and unattended operation are not allowed.
- The manufacturer cannot be made responsible for damages that are caused by improper use or incorrect operation.
- Make sure that the correct dust bag has been inserted securely in its holder before using the appliance. The wrong dust bag or incorrectly installed dust bags can cause damage to the appliance and cause the guarantee to become void.
- If the supply cord is damaged, it must be replaced by the manufacturer, its service agent or similarly qualified persons in order to avoid a hazard.
- Do not vacuum cleaner up ashes, hot coals or the like, large fragments of glass and sharp objects.
- If you would like to vacuum up cold ashes, then you can do this with our ash tank. This special accessory can be obtained under the specified article number from your specialized dealer.
- Don't vacuum up any toner dust, which is used in printers and copiers for example, because it is electrically conductive. In addition, it is possible that it will not be completely filtered out by the filter system of the wet/dry vacuum cleaner and can be released into the air via the exhaust fan.
- Never vacuum asbestos or asbestos dust.
- Never vacuum flammable or poisonous liquids like petrol, oil, acids, or other volatile substances.
- Don't vacuum up liquids that are hotter than 60°C or any poisonous or flammable dusts.
- Never lay the appliance on its side. Pay particular attention to a horizontal position and adequate stability on stairs.
- Always unplug the appliance after use and before cleaning or changing the filters or accessories.
- Only trained specialists may make repairs on electric equipment. Improper repairs could result in considerable danger to the user.
- Do not store the appliance directly beside a hot oven or radiator.
- This appliance is not intended for use by persons (including children) with reduced physical, sensory or mental capabilities, or lack of experience and knowledge, unless they have been given supervision or instruction concerning use of the appliance by a person responsible for their safety.
- Children should be supervised to ensure that they do not play with the appliance.
- When cleaning or removing the appliance, always switch it off. The plug must be removed from the socket-outlet before cleaning or maintaining the appliance. Pull the plug out of the receptacle, if you are not going to use the appliance for an extended period of time. Never pull on the cable to unplug the appliance, rather pull on the plug itself. Also, remove any special accessories from the appliance.
- Always keep the appliance clean. Don't use any solvents or cleaners that contain solvents for cleaning.
- Never leave the appliance switched on unattended. If you leave the work area, switch the appliance off or unplug it from the receptacle (don't pull the cord, but use the plug).

- In order to protect children from electric household appliances, make sure that the cable can't cause children to stumble and don't give children access to the appliance.
- Never use the appliance when you are under the influence of medication, alcohol or drugs, if you are currently under medical care, or if you are tired.
- Check the appliance and the power cord regularly for any possible damage. Don't use damaged appliances.
- Don't try to repair the appliance yourself. Always use an authorized technician for repairs. Always have faulty power cords replaced immediately by the manufacturer or a qualified electrician. Use the same type of cable in order to prevent any danger of electric shock and injury.
- Only use original spare parts and accessories. Non approved parts or third-party accessories may be a possible source or danger and cause the guarantee to become void.
- Check the float often.
- If you notice liquid leaking from your appliance, switch it off immediately and unplug it.
- Don't put the appliance in water. Make sure that water is not spilled on the appliance.
- When disposing of the wastewater, make sure that you observe any legal regulations.
- Only store the appliance in a safe and dry location outside the reach of children.
- Please also pay particular attention to the following "Special Safety Information".

Special Safety Information:

- Never vacuum up hot ashes or pointed or sharp objects.
- Never use the appliance in damp rooms.
- Don't use the appliance without a dust bag (an exception is wet vacuuming). Make sure that the dust bag is inserted into the appliance correctly.
- When using the appliance, make sure that no hair, clothing, or members are drawn in.
- Keep the vacuum cleaner away from heat sources such as radiant heaters, ovens, and so on.
- Do not run vac unattended
- If the supply cord is damaged, it must be replaced by the manufacturer, its service agent or similarly qualified persons in order to avoid a hazard.
- This appliance is not intended for use by persons (including children) with reduced physical, sensory or mental capabilities, or lack of experience and knowledge, unless they have been given supervision or instruction concerning use of the appliance by a person responsible for their safety.
- Children should be supervised to ensure that they do not play with the appliance.
- For additional protection: It is recommended that this vac can be used in conjunction with residual current device (RCD) with a rated residual current of 30mA or less.

Disposal Information:

The appliance contains electric and electronic components and may not be disposed of as household garbage. The local and currently applicable legislation must be observed unconditionally.

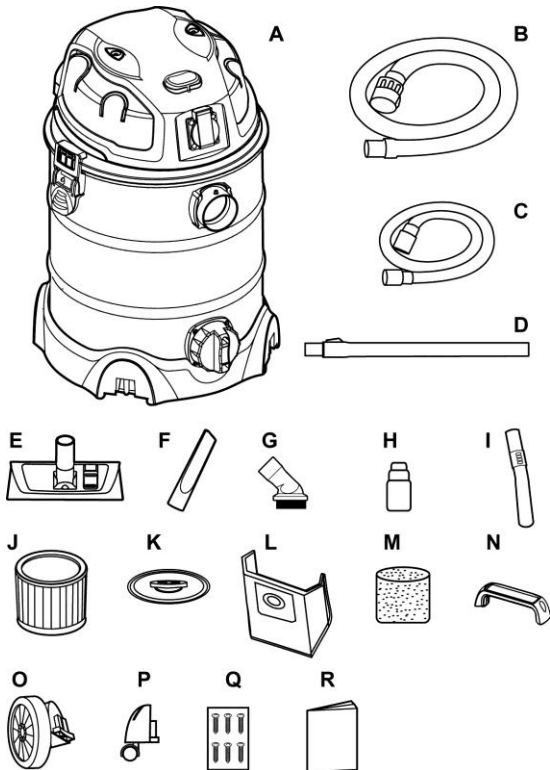
When using as blower:

- Direct air discharge only at work area.
- Do not use Wet/Dry Vac as a sprayer.
- Do not direct air at bystanders.
- Keep children away when blowing.
- Wear safety goggles.

SPECIFICATIONS

Motor:	240V~50Hz 1500W.
Container:	30ltr.
Filter - Dry	Cartridge Filter.
Filter - Wet	Foam filter.

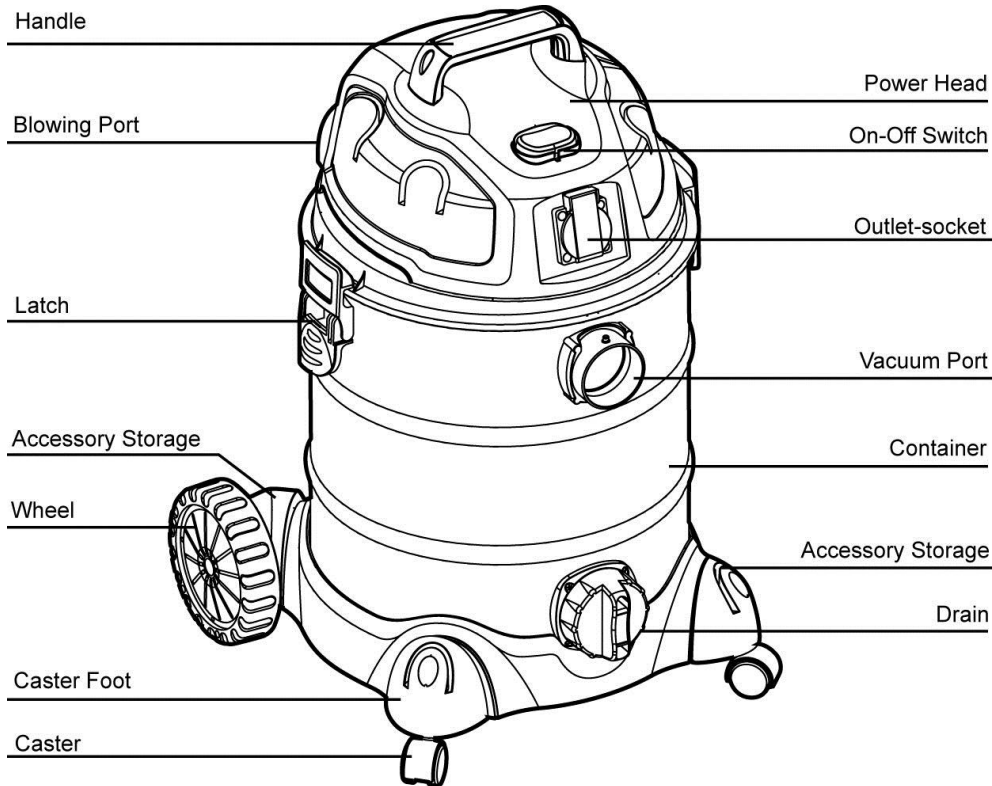
UNPACKING AND CHECKING CARTON CONTENTS



Remove entire contents of carton. Check each item against the carton contents list.

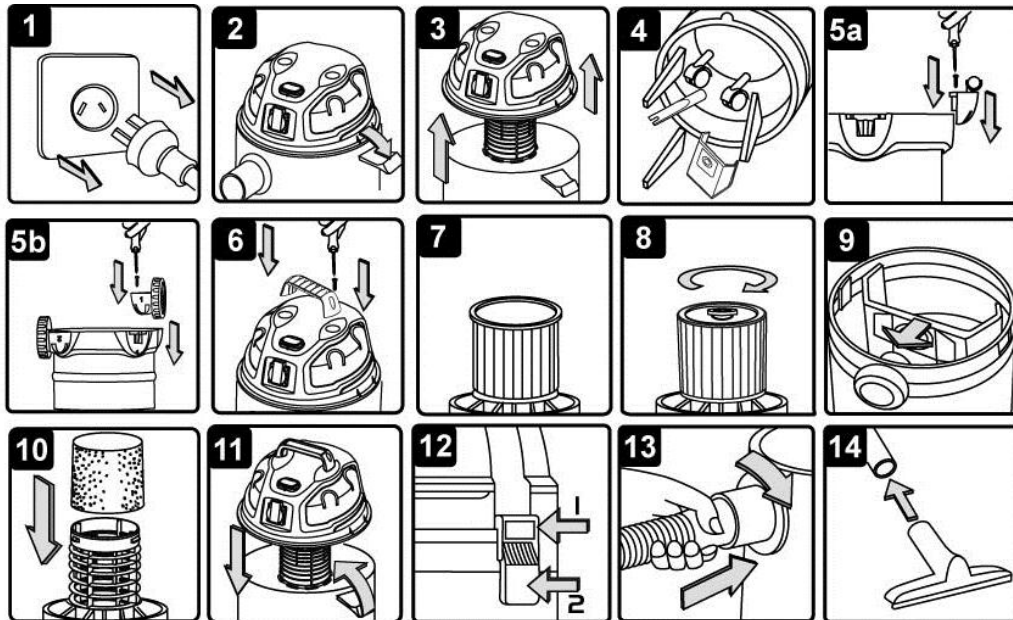
Carton Contents List

Key	Description.....	QTY
A	Vac Assembly.....	1
B	2.5m Hose.....	1
C	Power tool Hose.....	1
D	Telescopic Stainless Steel Tube.....	1
E	Floor Brush.....	1
F	Crevice Tool.....	1
G	Round Dust Brush.....	1
H	Adaptor For Power Tools.....	1
I	Handle With Air Flow Regulation.....	1
J	Cartridge Filter.....	1
K	Filter Retainer.....	1
L	Dust Bag.....	1
M	Foam Sleeve Filter.....	1
N	Handle.....	1
O	Rear Foot With Wheel.....	2
P	Foot With Caster.....	2
Q	6 Screws (Bag).....	1
R	Operator's Manual.....	1



GENERAL ASSEMBLY INSTRUCTIONS

A Philips head screw driver is required for assembly.



WARNING: DO NOT PLUG IN POWER CORD TO POWER OUTLET, MAKE SURE PLUG IS DISCONNECTED BEFORE ASSEMBLING THE WET/DRY VAC

UNPACKING YOUR WET/DRY VACUUM & GENERAL ASSEMBLY

1. Verify that the power cord is disconnected from the outlet. (fig.1)
2. Undo the latches. (fig.2)
3. Lift the power head off the container. (fig.3)
4. Remove the contents from inside the container, make sure you have all contents as listed on page 6. (fig.4)
5. With the power head removed, turn the container upside down. Insert the feet with casters into the slots and apply pressure into place and secure them with supplied screw. Do not over-tighten screws. (fig.5a)
6. Find the rear wheel and foot marked "1" and insert it into the rear slot on base marked "1". Insert the rear wheel and foot marked "2" into rear slot "2" on base and secure them with the supplied screws. Do not over-tighten screws. (fig.5b)
7. Insert the handle into the slots located on the top of the power head and secure it with the screws provided. Do not over tighten the screw. (fig.6)
8. Your vacuum comes ready for dry vacuum cleaning with cartridge filter pre-installed. If cartridge filter is not installed, refer to page 11 for filter installation. (fig.7 & 8)
9. Optional, for improved dust filtering, fit collection bag flange onto the inlet stub, taking care not to damage the bag. (fig.9)
10. For wet vacuum cleaning, install the supplied foam filter. (fig.10) See page 11 for filter installation.
11. Place the power head back on the container, and secure into place using the 2 side latches. (fig.11 & fig.12)
12. Secure the large end of the hose into the vacuum port on the container and screw into place. (fig.13)
13. Choose the desired accessories and extension wands and push onto the suction tube. (fig.14)

SWITCHING ON/OFF

Connect the mains plug.

Switching on the vacuum cleaner:

Press



Switch on electrical appliance + vacuum cleaner:

On/Off switch to position:

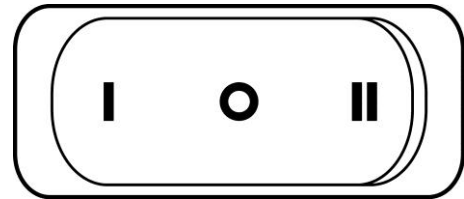
Press



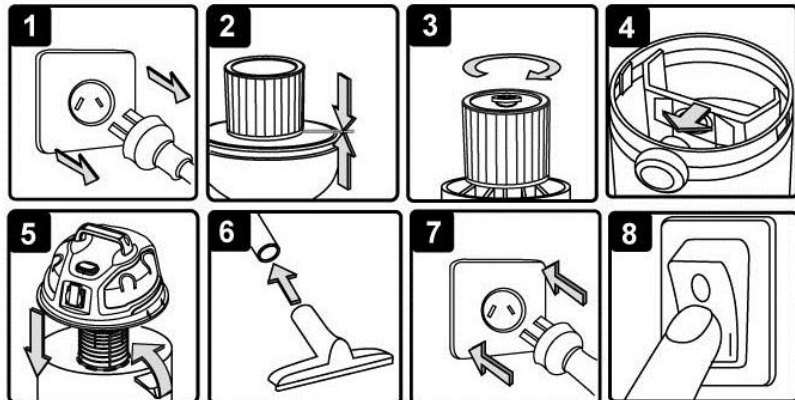
Switch on electrical appliance. Only connect electrical appliances with a maximum power rating of 900W. Switching on the electrical appliance automatically switches on the vacuum cleaner. Once the electrical appliance has been switched off, the vacuum cleaner switches off following a time lapse.

Switching off the vacuum cleaner:

Press



DRY-VACUUM OPERATION



DRY VACUUMING

WARNING: BE SURE TO READ, UNDERSTAND, AND APPLY INFORMATION, ENTITLED 'SAFETY INSTRUCTIONS & WARNINGS'. DO NOT VACUUM IN AREAS WITH FLAMMABLE GASES, VAPORS, OR EXPLOSIVE DUSTS IN THE AIR. FLAMMABLE GASES OR VAPORS INCLUDE BUT ARE NOT LIMITED TO; LIGHTER FLUID, SOLVENT TYPE CLEANERS, OIL-BASE PAINTS, GASOLINE, ALCOHOL OR AEROSOL SPRAYS. EXPLOSIVE DUSTS INCLUDE BUT ARE NOT LIMITED TO; COAL, MAGNESIUM, GRAIN OR GUN POWDER. TO REDUCE THE RISK OF HEALTH HAZARDS FROM VAPORS OR DUST, DO NOT VACUUM TOXIC MATERIALS.

CAUTION:

- Do not vacuum drywall dust or fireplace soot or ash with standard Wet/Dry filter. This is a very fine dust which will not be captured by the filter and may cause damage to motor. When vacuuming fine dust use a fine dust filter (sold separately).

WARNING: DO NOT PLUG IN POWER CORD TO POWER OUTLET. MAKE SURE PLUG IS DISCONNECTED BEFORE CHANGING AND CLEANING FILTERS.

1. Verify that the power cord is disconnected from the outlet. (fig.1)
2. In order to prepare your vacuum for dry vacuuming, verify that the cartridge filter is securely mounted. With power head removed and in upside down position, make sure the filter is pushed in until it stops against the power head and the retainer is installed. (fig.2 & 3) (Your Wet/Dry Vac comes with the cartridge filter pre-installed, if not, see page 11 for installation instructions.)
3. Recommend to use dust bag for dust-free emptying, fit collection bag flange onto the inlet stub, taking care not to damage the bag. (fig.4), This has the added advantage that the cartridge filter does not become dirty so quickly.
4. Place the power head back on the container, and secure it in place using the latches. (fig.5)

OPERATING INSTRUCTIONS: DRY VACUUMING

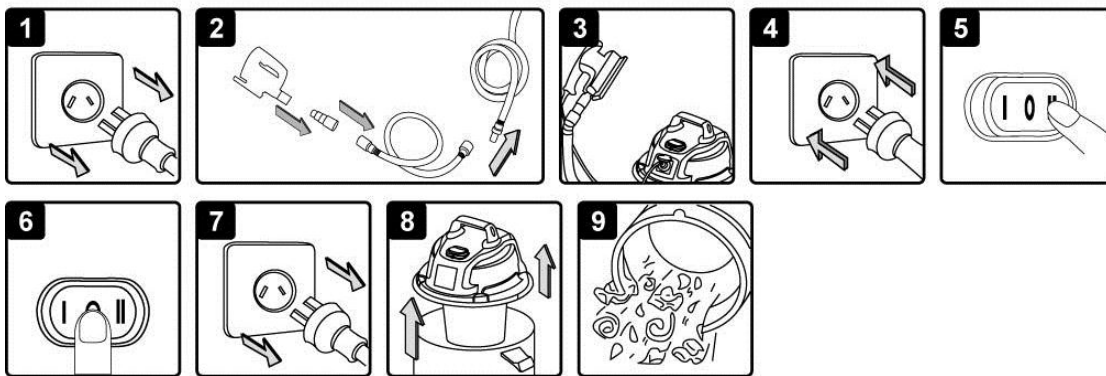
5. Insert the locking end of the hose into the vacuum port and screw in place. Push the required attachment onto the free end of the hose or extension. (fig.6)
6. Plug in the power cord into the outlet. (fig.7)
7. Turn the motor on by flipping the switch to the 'I' ON position. (fig.8)
8. Once you have completed vacuuming, flip the switch to the 'O' OFF position and unplug the power cord from the outlet.

O = OFF I = ON

**DO NOT USE THE CARTRIDGE FILTER FOR LIQUID VACUUMING
DO NOT USE COLLECTION BAG FOR LIQUID VACUUMING**

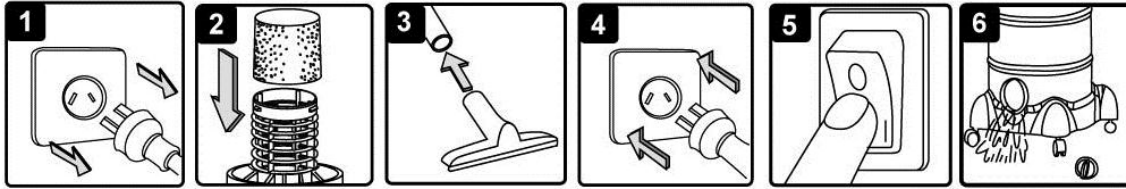
POWER TOOL VACUUMING

WARNING: BE SURE TO READ, UNDERSTAND, AND APPLY INFORMATION, ENTITLED 'SAFETY INSTRUCTIONS & WARNINGS'. DO NOT VACUUM IN AREAS WITH FLAMMABLE GASES, VAPORS, OR EXPLOSIVE DUSTS IN THE AIR. FLAMMABLE GASES OR VAPORS INCLUDE BUT ARE NOT LIMITED TO; LIGHTER FLUID, SOLVENT TYPE CLEANERS, OIL-BASE PAINTS, GASOLINE, ALCOHOL OR AEROSOL SPRAYS. EXPLOSIVE DUSTS INCLUDE BUT ARE NOT LIMITED TO; COAL, MAGNESIUM, GRAIN OR GUN POWDER. TO REDUCE THE RISK OF HEALTH HAZARDS FROM VAPORS OR DUST, DO NOT VACUUM TOXIC MATERIALS.



1. Place the thicker end of the powertool hose straight onto the vacuum hose and the other end onto the reduction adaptor supplied.
2. Select and cut the right section of the reduction hose of the power adaptor and connect to dust outlet of power tool.
3. Plug the power tool into the power socket.
4. On/Off switch presses to position: **II**
5. Vacuum cleaner switches on to vacuum the dust off when turn on the power tool.
6. Vacuum cleaner switches off few second after the power tool switch off to vacuum off the residual dust.
7. Empty the tank and clean the dirt tank after every using.

LIQUID VACUUM OPERATION



LIQUID VACUUMING

WARNING: BE SURE TO READ, UNDERSTAND, AND APPLY INFORMATION, ENTITLED 'SAFETY INSTRUCTIONS & WARNINGS'. DO NOT VACUUM IN AREAS WITH FLAMMABLE GASES, VAPORS, OR EXPLOSIVE DUSTS IN THE AIR. FLAMMABLE GASES OR VAPORS INCLUDE BUT ARE NOT LIMITED TO; LIGHTER FLUID, SOLVENT TYPE CLEANERS, OIL-BASE PAINTS, GASOLINE, ALCOHOL OR AEROSOL SPRAYS. EXPLOSIVE DUSTS INCLUDE BUT ARE NOT LIMITED TO; COAL, MAGNESIUM, GRAIN OR GUN POWDER. TO REDUCE THE RISK OF HEALTH HAZARDS FROM VAPORS OR DUST, DO NOT VACUUM TOXIC MATERIALS.

WARNING: DO NOT PLUG IN POWER CORD TO POWER OUTLET. MAKE SURE PLUG IS DISCONNECTED BEFORE CHANGING AND CLEANING FILTERS.

1. Verify that the power cord is disconnected from the outlet. (fig.1) Make sure that the container is clean and free from dust and dirt.
2. Remove cartridge filter and collection bag, then carefully install the foam sleeve filter over the filter cage and place the power head back on the container. (fig.2) See filter installing instructions on page 11.

**DO NOT USE THE CARTRIDGE FILTER FOR LIQUID VACUUMING.
DO NOT USE COLLECTION BAG FOR LIQUID VACUUMING**

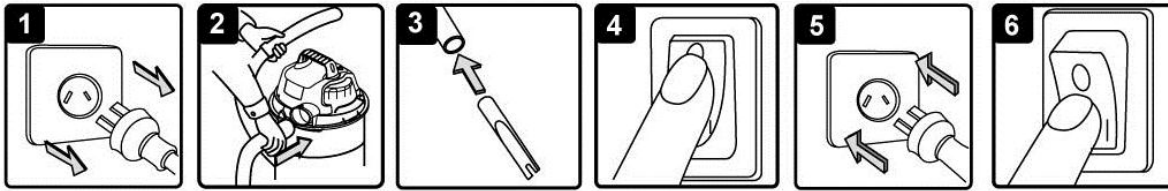
OPERATING INSTRUCTIONS – WET VACUUMING

3. Fit the desired nozzle to the vacuum hose. (fig.3)
4. Verify that the switch is in the 'O' OFF position before plugging the power cord into the outlet. (fig.4)
5. Turn the motor on by flipping the switch to the 'I' ON position. (fig.5)
6. After use, empty the container by unscrewing the drain cap and drain liquids into suitable receptacle or drain. (fig.6) Remember to refit the drain cap to the container after draining container.

IMPORTANT! When vacuuming large quantities of liquids, do not immerse the nozzle completely in the liquid; leave a gap at the tip of the nozzle opening to allow air inflow. The machine is fitted with a float valve that stops the suction action when the container reaches its maximum capacity. You will notice an increase in motor speed. When this happens, turn off the machine, disconnect from power supply, and drain the liquid into a suitable receptacle or drain. To continue vacuuming, refit the container with the drain cap. After wet vacuuming, turn the machine off and remove plug from power supply. Empty the container, clean and dry the inside and outside before storage.

REMEMBER! The foam filter must be removed after wet vacuuming, and a cartridge filter must be installed before dry vacuuming again.

BLOWING OPERATION



This Wet/Dry Vac has blowing capabilities. To use the blower feature follow the instructions listed.

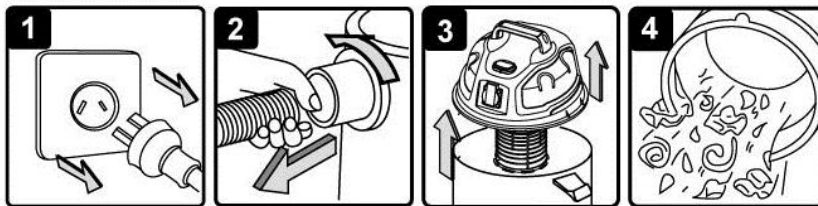
WARNING: ALWAYS WEAR SAFETY GOGGLES BEFORE USING BLOWER.

WARNING: KEEP BY STANDERS CLEAR FROM BLOWING DEBRIS.

WARNING: WEAR A DUST MASK IF BLOWING CREATES DUST THAT MIGHT BE INHALED.

1. Verify that the power cord is disconnected from the outlet. (fig.1)
2. Make sure the container is empty before using as a blower.
3. Remove hose from the vacuum port.
4. Insert the large end of the hose into the blowing port on the back side of the power head and screw into position. (fig.2)
5. Fit the desired extension wand and / or nozzle to the vacuum hose. (fig. 3)
6. Verify that the switch is in the 'O' OFF position before plugging the power cord into the outlet. (fig.4, fig.5)
7. Before turning on the vac, firmly hold loose end of the hose. Turn the motor on by flipping the switch to the '1' ON position. (fig.6)

MAINTENANCE



WARNING: DO NOT PLUG IN POWER CORD TO POWER OUTLET. MAKE SURE PLUG IS DISCONNECTED BEFORE CHANGING AND CLEANING FILTERS.

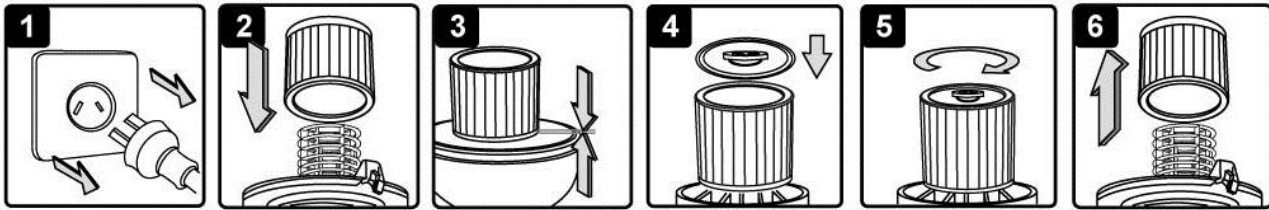
1. Verify that the power cord is disconnected from the outlet. (fig.1)
2. Disconnect the hose from the vacuum, turning large end in counter clockwise direction. (fig.2)
3. Undo the latches and remove the power head from the container. (fig.3)
4. Clear all dirt or debris from the container and hose. (fig.4)
5. Check the hose, attachments, and power cord to verify that they have not been damaged.

IMPORTANT! Clean or change the cartridge filter regularly for best performance. **ALWAYS USE CARTRIDGE FILTER FOR DRY VACUUMING.** If the machine is used without the cartridge filter, the motor will burn out and the warranty will be voided. Always keep spare filters on-hand.

NOTICE! The filters included are made of high quality materials designed to stop small dust particles. The cartridge filter should be used for dry pick-up only. A dry cartridge filter is necessary to pick up dust. If the cartridge filter is wet, it will clog quickly and be very difficult to clean. Handle the filter carefully when removing it for cleaning and replacing it. Check the filters for tears or small holes, a small hole can let dust pass through and out of the cleaner. Do not use a filter with holes or tears, replace it immediately.

WARNING! ALWAYS DISCONNECT THE PLUG FROM THE POWER OUTLET BEFORE REMOVING THE POWER HEAD FROM CONTAINER.

INSTALLING & CLEANING CARTRIDGE FILTERS



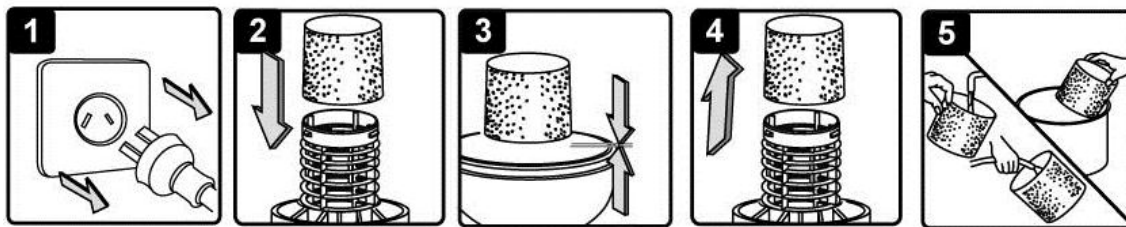
Installing Cartridge Filter

1. Verify that the power cord is disconnected from the outlet. (fig.1)
2. Remove power head and place in upside down position.
3. Install the cartridge filter over the filter cage with the flat end of the filter towards the vacuum power head. Carefully push filter in until it stops against the power head. (fig.2 & 3)
4. Place filter retainer on top of cartridge filter over the raise lip and tighten down by turning retainer clockwise, do not over tighten. (fig. 4 & 5)

Removing and Cleaning Cartridge Filter

1. Unlock and remove the filter retainer by tuning retainer handle counter clockwise.
2. Carefully hold and pull the cartridge filter up for removal. (fig.6)
3. Clean the cartridge filter by gently tapping or brushing dirt off. Cleaning should not be done indoors in living areas. For optimal performance a new filter is recommended.
4. Install cleaned or new filter into place as instructed above in steps 2 and 3 of Installing Cartridge Filter.
5. Wet filters should be removed and allowed to air dry for 24 hours before installing onto the filter cage.

INSTALLING & CLEANING FOAM SLEEVE FILTER



Installing Foam Sleeve Filter

1. Verify that the power cord is disconnected from the outlet. (fig.1)
2. Remove power head and place in upside down position. Follow instructions to remove cartridge filter.
3. Carefully slide foam sleeve filter down over the filter cage making sure the whole cage is covered. (fig.2 & 3)
4. Replace the power head on to the container.

Cleaning Foam Sleeve Filter

1. With the removed power head in the upside down position, carefully remove foam sleeve filter. (fig.4)
2. Use a mild soap and water solution to wash foam sleeve filter and rinse with clean water. (fig.5)
3. Allow filter to air dry before installing and using again.

TROUBLESHOOTING

WARNING! TO REDUCE THE RISK OF ELECTRIC SHOCK-UNPLUG BEFORE TROUBLESHOOTING

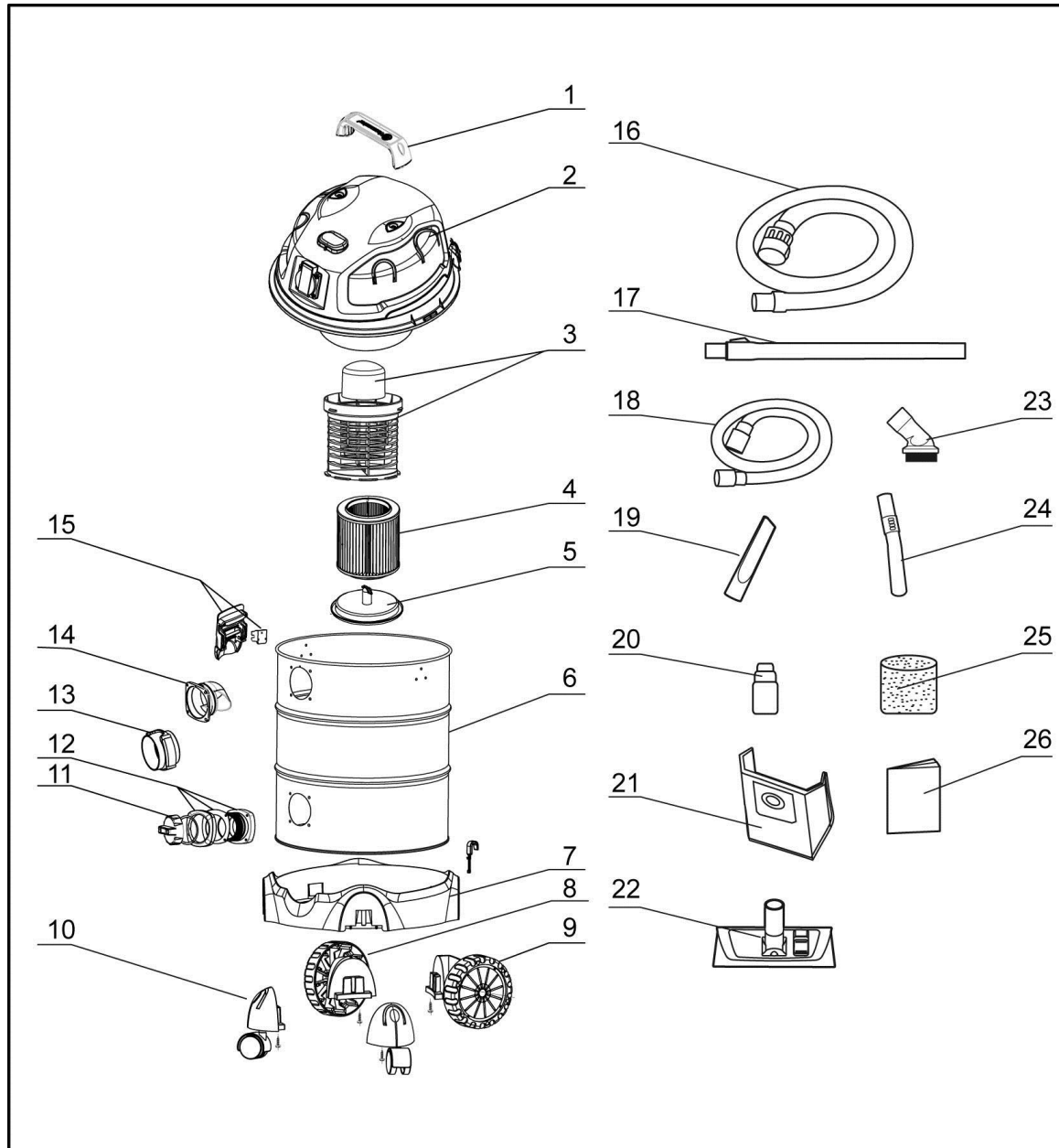
Symptom	Possible Causes	Corrective Action
Vacuum will not operate	1) No power supply.	1) Check power supply – cord, breakers, fuses.
	2) Faulty power cord.	2) Unplug and check the power cord. If damaged, have it repaired by a professional.
	3) Container full.	3) Empty container.
Dust comes out from motor cover.	1) The cartridge filter or collection bag is missing or damaged.	1) Attach or replace cartridge filter or collection bag.
Reduced efficiency and motor/speed vibration.	1) There is a blockage in the nozzle or hose, or the container inlet. Or dust filter blocked by fine dust.	1) Check nozzle, hose and container inlets for blockage. Take off the filter and clean it. Or install new cartridge filter.

Correct Disposal of this product

This marking indicates that this product should not be disposed with other household wastes throughout the EU. To prevent possible harm to the environment or human health from uncontrolled waste disposal, recycle it responsibly to promote the sustainable reuse of material resources. To return your used device, please use the return and collection systems or contact the retailer where the product was purchased. They can take this product for environmental safe recycling.



EXPLODED VIEW AND PARTS LIST



VMVQ1530SWDC Manual Parts List

Key Number	Drawing Number	Description	Quantity	Key Number	Drawing Number	Description	Quantity
1	VQ51SR.10.04	Handle	1	14	TVQTXK.04.02	Vacuum Port Deflector	1
2	VQ56SR.60.00	Power Head Assembly	1	15	TVQTDK.04.00	Latch Assembly	2
3	VJ01PF.13.00	Float & Filter Cage	1	16	FV8842.01.00	Hose	1
4	FV9546.02.00	Cartridge Filter	1	17	FV8962.01.00	Telescopic Stainless Steel Tube	1
5	FV9546.01.20	Filter Retainer	1	18	FV8881.01.00	Suction Hose	1
6	VB07SR.20.01	Container	1	19	FV8772.02.01	Crevice Tool	1
7	VF01SR.10.07	Base	1	20	FV8311.01.01	Adaptor For Power Tools	1
8	TVQJJC.06.00	Rear Caster Foot Assembly Left	1	21	FV9612.01.00	Dust Bag	1
9	TVQJJC.05.00	Rear Caster Foot Assembly Right	1	22	FV8721.03.00	Floor Brush	1
10	TVQJTL.04.00	Foot And Caster	2	23	FV8773.01.00	Round Dust Brush	1
11	VB01PF.20.01	Drain Cap	1	24	FV8321.01.00	Handle With Air Flow Regulation	1
12	VF01SR.10.07	Drain Outlet Assembly	1	25	FV9501.01.00	Foam Sleeve Filter	1
13	TVQTXK.06.01	Vacuum Port Assembly	1	26		Operator's Manual	1