



FORCED AIR

KEROSENE / DIESEL HEATERS

USER'S MANUAL & OPERATING INSTRUCTIONS

RPH700KFA - RPH1250KFA - RPH2150KFA



DANGER

READ AND UNDERSTAND ALL OF THE INSTRUCTIONS IN THIS MANUAL BEFORE ASSEMBLING, STARTING, OR SERVICING THE HEATER. Be sure to comply with the instructions and warnings provided with this heater. Failure to comply can result in fire or explosion that can cause property loss, bodily injury, or loss of life. Only persons who can follow and understand these instructions should operate or service this heater. If you need heater info; such as an operating manual, labels, etc. Please visit our website www.remingtonpower.co.nz

NOT FOR USE IN RESIDENTIAL LIVING AREAS OR IN ENCLOSED SPACES WITHOUT ADEQUATE VENTILATION. FOR OUTDOOR USE. INDOOR USE PERMITTED ONLY FOR: The temporary heating of adequately ventilated buildings or structures under construction, alteration or repair. This is an unvented portable heater that uses air (Oxygen) from within the area in which it is used. Failure to provide adequate combustion and ventilation air will result in asphyxiation, carbon monoxide poisoning, bodily injury or death. Refer to "Ventilation" on Page 7.

www.remingtonpower.co.nz

CONTENTS

| | |
|---|----|
| Introduction..... | 3 |
| Environmental Protection..... | 3 |
| Safety Information..... | 3 |
| Specifications..... | 5 |
| Features..... | 5 |
| RPH700KFA Assembly..... | 6 |
| RPH1250KFA, RPH2150KFA Assembly..... | 7 |
| Operation..... | 8 |
| Storage..... | 10 |
| Maintenance..... | 11 |
| Wiring Diagram..... | 13 |
| Troubleshooting..... | 14 |
| Parts..... | 15 |
| Parts List..... | 16 |
| Warranty..... | 17 |

INTRODUCTION

Your new Remington Heater will more than satisfy your expectations. It has been manufactured under stringent quality standards to meet superior performance criteria. You will find your new tool easy and safe to operate, and, with proper care, it will give you many years of dependable service.



CAUTION: Carefully read through this entire Instruction Manual before operating your new Remington Heater. Take special care to heed the Cautions and Warnings.

ENVIRONMENTAL PROTECTION

Recycle unwanted materials instead of disposing of them as waste. All tools, hoses and packaging should be sorted, taken to the local recycling centre and disposed of in an environmentally safe way.



SAFETY INFORMATION



WARNING: Fire, burn, inhalation and explosion hazard.

Keep combustibles such as building materials, paper or cardboard a safe distance away from the heater as recommended by these instructions. Never use the heater in spaces which contain products such as; gasoline, solvents, paint thinners, dust particles, volatile or airborne combustibles or any unknown chemicals. This is an unvented portable heater. It uses air (Oxygen) from the area in which it is used. Adequate combustion and ventilation

air must be provided. Refer to "Ventilation" on page 9. Bulk fuel storage should be a minimum of 8 metres from heater.



WARNING: Do not operate this heater until you have read and thoroughly understand these safety and operating instructions.

Failure to comply with the precautions and instructions provided with this heater can result in death, serious bodily injury, property loss or damage from the hazards of fire, soot production, explosions, burns, asphyxiation or carbon monoxide poisoning. Only persons who can read and understand these instructions should use or service this heater.



WARNING: Do not start the heater when excess fuel has accumulated.



WARNING: Do not start the heater when the chamber is hot.



Look for this icon throughout the manual for helpful tips on how to assemble, use and clean your Silent Drive Heater.



WARNING: Risk of indoor air pollution!

The products described in this manual are Kerosene/Diesel direct-fired, forced air heaters. Kerosene/Diesel forced air heaters are primarily intended for use for temporary heating of buildings under construction, alteration or repair. Direct-fired means that all of the combustion products of the heater enter the heated space. This appliance is rated at 98% combustion efficiency, but does produce small amounts of carbon monoxide.



WARNING: *Carbon monoxide poisoning may lead to death!*

Carbon monoxide is toxic. Humans can tolerate only small amounts of carbon monoxide and so precautions should be taken to provide proper ventilation. Failure to provide proper ventilation in accordance with the instructions in this manual can result in death. People with breathing problems should consult a physician before using this heater.

Early signs of carbon monoxide poisoning resemble the flu. Symptoms of improper ventilation / carbon monoxide poisoning are: Headache • Dizziness • Nausea • Dry Mouth Sore Throat • Burning of Nose and Eyes

If you experience any of these symptoms: **GET FRESH AIR AT ONCE!** Have your heater serviced and check for proper ventilation. Some people are more affected by carbon monoxide than others. These include: pregnant women, those with heart or lung problems, anemia or those under the influence of alcohol or at high altitudes.

FOR OUTDOOR USE. INDOOR USE PERMITTED ONLY FOR: The temporary heating of adequately ventilated buildings or structures under construction, alteration or repair! Provide at least a three square foot (2,800 sq cm) opening of outside air for every 100,000 Btu / Hr heater rating. Refer to "Ventilation" on page 7 for further instructions.



WARNING: *Risk of electric shock!*

ALWAYS use only the electrical power (voltage and frequency) specified on the model plate of the heater.

ALWAYS use only three-prong, grounded outlet and extension cord.

ALWAYS unplug the heater when not in use.

ALWAYS install the heater so that it is not directly exposed to water spray, rain, dripping water, or wind.



WARNING: *Risk of burns, fire and explosion!*

NEVER use fuels such as gasoline, benzene, paint thinners or other oil compounds in this heater.

NEVER refill the heater's fuel tank while the heater is operating or still hot. This heater is **EXTREMELY HOT** while in operation.

NEVER block air outlet (front).

NEVER use duct work in front of heater.

NEVER move or handle heater while still hot.

NEVER transport heater with fuel in tank.

NEVER use with an external fuel tank.



CAUTION: *Hot while in operation. Do not touch. Keep children, animals, clothing and combustibles away from heater.*

Minimum Clearance From Combustibles

| | RPH700KFA | RPH1250KFA | RPH2150KFA |
|--------|-----------|------------|------------|
| Top: | 1.2m | 1.2m | 1.2m |
| Sides: | 1.2m | 1.2m | 1.2m |
| Front: | 2.4m | 2.4m | 3m |

ALWAYS locate heater on a stable and level surface.

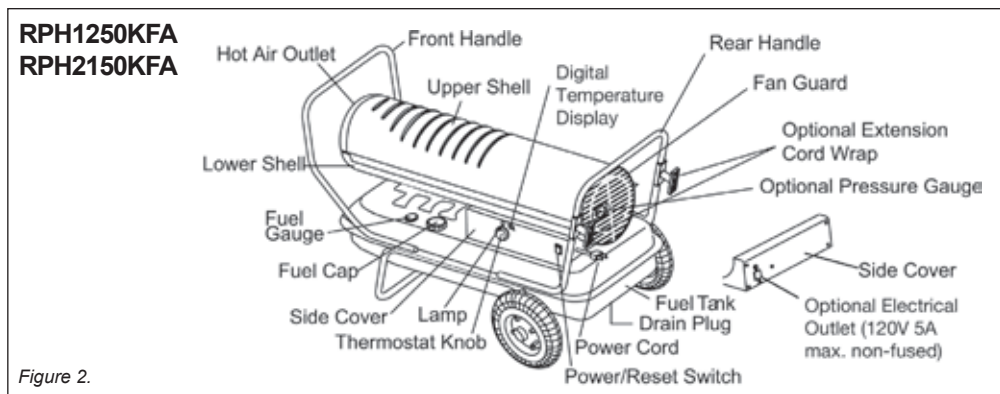
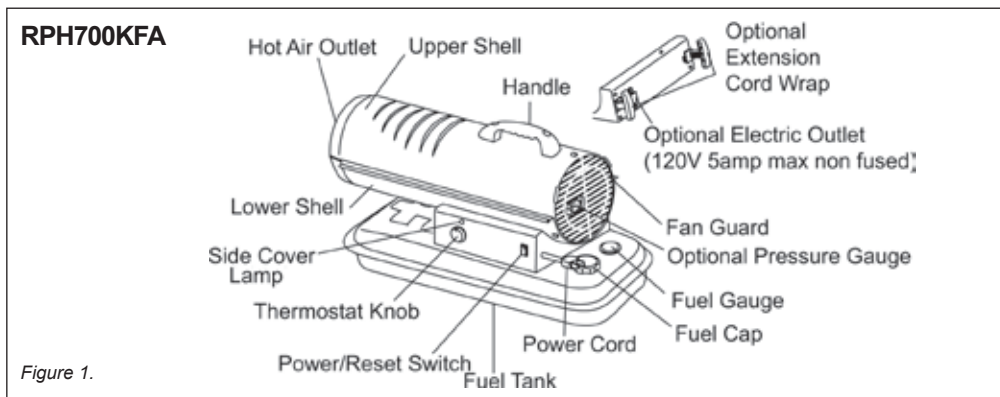
If your heater is equipped with a thermostat, once it is plugged in, it can start at anytime in accordance with the thermostat setting.

SPECIFICATIONS

| Model #: | RPH700KFA | RPH1250KFA | RPH2150KFA |
|----------------------|-------------------|-------------------|-------------------|
| Rating: | 70,000 Btu/Hr | 125,000 Btu/Hr | 215,000 Btu/Hr |
| Fuel Consumption: | 2.0L/Hr | 3.6L/Hr | 6.1L/Hr |
| Fuel Tank Capacity: | 5 gal/19L | 10 gal/38L | 13 gal/49L |
| Pump Pressure: | 4.0 | 5.0 | 9.0 |
| Max Operating Hours: | 9 | 10 | 8 |
| Volts: | 230V / 50Hz | 230V / 50Hz | 230V / 50Hz |
| Amps: | <5A | <5A | <5A |
| Heating Area: | 158m ² | 288m ² | 492m ² |

Specifications subject to change without notice.

FEATURES




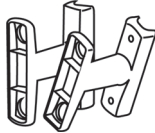
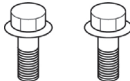
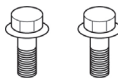
RPH700KFA ASSEMBLY INSTRUCTIONS



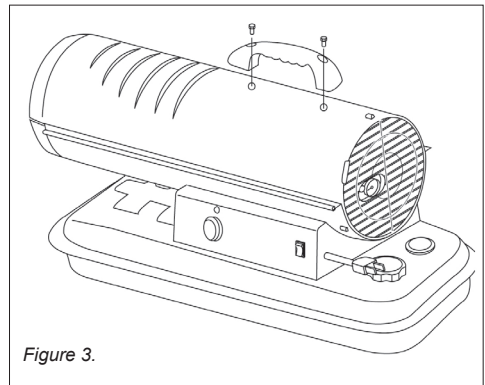
Remove the heater and all packaging materials from the shipping carton.

i Save the box and packaging materials for future storage.

What's in the box?

| | |
|---|--|
|  <p>Carry Handle x 1</p> |  <p>Cord Wraps (optional)</p> |
|  <p>13mm Screws x 2</p> |  <p>10mm Screws x 2</p> |

Carry Handle Assembly



Tools Required:

Phillips Head Screw Driver

1. Align holes in the upper housing with the 2 holes in the handle as shown in Figure 2.
2. Insert screws and tighten firmly.

RPH1250KFA + RPH2150KFA ASSEMBLY INSTRUCTIONS

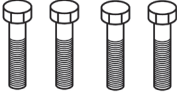
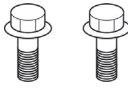






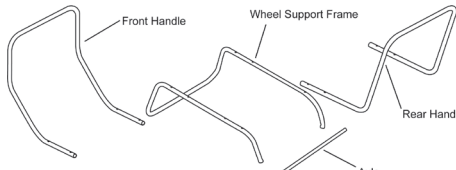
Remove the heater and all packaging materials from the shipping carton.



Save the box and packaging materials for future storage.



What's in the box?

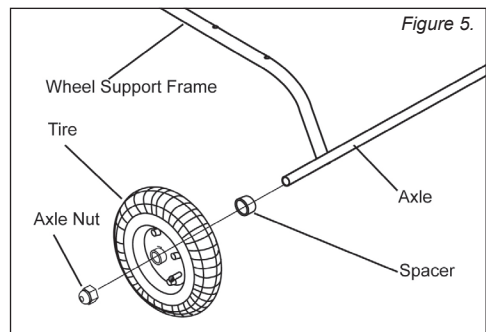
| | |
|---|--|
|  50mm Screws x 4 |  30mm Screws x 8 |
|  8mm Nuts x 12 |  Axle Nuts x 2 |
|  Spacers x 2 Washers x 2 |  Tyres x 2 |
|  Cord Wraps (optional) |  Spare Drain Plug x 1 |
|  | |

Tools Required:

Phillips Head Screw Driver, 8 mm open end wrench and 19 mm open end wrench.

Assembling

1. Insert axle through holes in wheel support.
2. Slide spacer onto axle.
3. Slide wheel onto axle with the air valve facing out and hold in place with the axle nuts. (See Figure 5).



Do not tighten the nuts fully. You will need to remove the wheels in a later step.

4. Place heater on wheel support and line up holes on the fuel tank lip.
5. Attach front handle with (2) long screws (50 mm) and (2) nuts through the second hole from the front on both sides of the

tank lip and wheel support frame and tighten firmly.

6. Insert (2) short screws (30 mm) through the first hole from the front in the tank lip and tighten firmly. Make certain all (4) screws are secure.
7. Attach rear handle with (2) long screws (50 mm) and (2) nuts through the third hole from the rear of the heater on either side. (See Figure 6)



You will secure the back of the rear handle in a later step by tilting the heater up the front handle as shown in figure 7

8. Tilt the heater up gently so it is resting on the front handle.



NOTE: DO NOT do this if there is fuel in the tank.

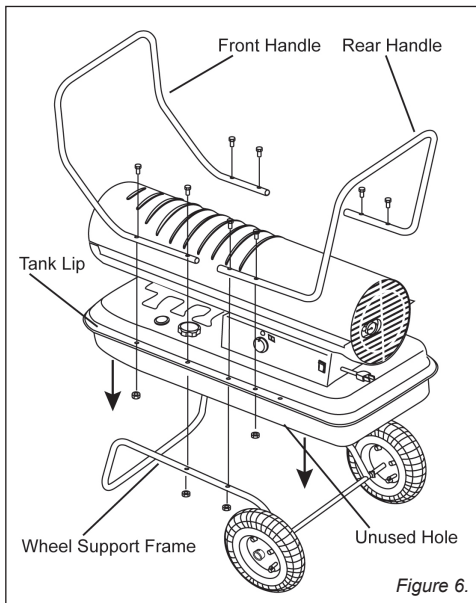


Figure 6.

9. Remove the wheels to secure the second set of screws through the rear handle.
10. Secure the rear handle with (2) short screws (30 mm) and (2) nuts and tighten firmly
11. Replace wheels with the valve facing out and tighten with the wheel nuts.
12. Tilt heater back down onto wheels and check all screws and nuts to make sure they are secure.

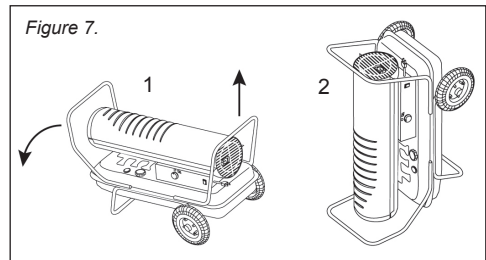


Figure 7.

OPERATION

Fueling The Heater

Kerosene (1-K)

For optimal performance of this heater, it is strongly suggested that 1-K kerosene be used. 1-K kerosene has been refined to virtually eliminate contaminants, such as sulfur, which can cause a rotten egg odor during the operation of the heater. Using diesel fuel can cause excess soot production. Do not use Bio-Diesel as this fuel will damage your heater's seals and filter.

CSA certified for use with 1-K kerosene, no. 1 & no. 2 diesel, JP8/Jet A Fuel, no. 1 and no. 2 fuel oil.

DO NOT use any fuel that is not approved above.



DANGER: *Never refuel this heater while it is hot or operating. Fire or explosion could result. Never fill the fuel tank indoors. Always fill the tank outdoors.*

Be sure that the heater is on level ground when fueling, and never overfill the tank. Do not use gasoline or crankcase drainings.

Fuel Set - Fuel Conditioner

For optimal performance, it is strongly suggested that Fuel Set fuel conditioner be used in addition to fuel. Diesel contaminants such as diesel bug and water in the fuel may make the heater perform poorly. Add the recommended dose of Fuel Set to every tank of fuel when filling to ensure the heater performs at it's peak.

NEVER use fuel such as, benzene, alcohol, white glass, camp stove fuel, paint thinners, or other oil compounds in this heater.

THESE ARE VOLATILE FUELS THAT CAN CAUSE A FIRE OR EXPLOSION.

NEVER store Kerosene in the living space. Kerosene should be stored in a well ventilated area outside the living area.

NEVER store Kerosene in direct sunlight or near a source of heat.

NEVER use Kerosene that has been stored from one season to the next. Kerosene deteriorates over time. OLD Kerosene WILL NOT BURN PROPERLY IN THIS HEATER.



Kerosene should only be stored in a blue container that is clearly marked "Kerosene." Never store Kerosene in a red container. Red is associated with gasoline.

Ventilation

There is a risk of indoor air pollution and Carbon monoxide poisoning. Use heater only in well ventilated areas.

Refer to Safety Information on pages 3 - 4 for information about Carbon Monoxide Poisoning.

Always provide a fresh air opening in the heated space of at least 2.8m² (3 sq. ft) for each 100,00 Btu / Hr. of heater output. Provide a larger opening if more heaters are being used.



DANGER: *Carbon monoxide poisoning may lead to death!!*

Minimum ventilation opening required:

| | |
|------------|---|
| RPH700KFA | 195m ² (2.1ft ²) |
| RPH1250KFA | 348m ² (3.8ft ²) |
| RPH2150KFA | 599m ² (6.5ft ²) |

Starting The Heater (Ignition)

1. Fill the tank with Kerosene or other approved fuel until needle on fuel gauge points to "F".
2. Replace fuel cap and tighten firmly.
3. Connect the heater to a three prong

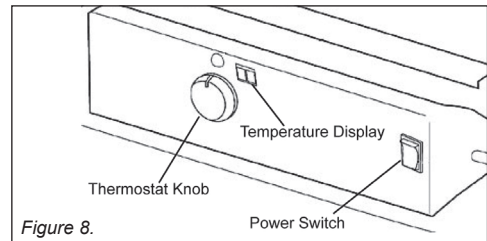


Figure 8.

(grounded) power source. You must use a three prong (grounded) extension cord that is at least 6 feet long.

4. Turn thermostat control knob to desired temperature setting. The thermostat set range is from 40 °F to 110 °F.
5. Move power switch to “On” position. The power indicator light and room temperature display will illuminate and heater will ignite. (See Figure 8)



If the heater does not ignite, the thermostat may be set too low. Turn control knob to a higher setting until heater ignites. If heater does not ignite; switch to “Off” position, check steps above and then switch to “On” position. If heater still does not ignite, refer to Troubleshooting on page 14.

Room Temperature Display



NOTE: *The RPH700KFA does not have a room temperature display feature.*

The room temperature display will indicate the following:

- When the temperature is less than 0 °F the display says “LO”.
- When the temperature is more than 99 °F the display says “HI”.
- Between 0 °F and 99 °F the display shows actual temperature.

Stopping / Restarting Heater

To stop the heater, move the power switch to the “Off” position and unplug the power cord.

To restart the heater; wait 10 seconds and follow ignition steps.

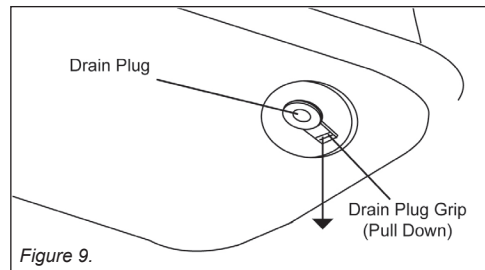
STORAGE

RPH700KFA Model:

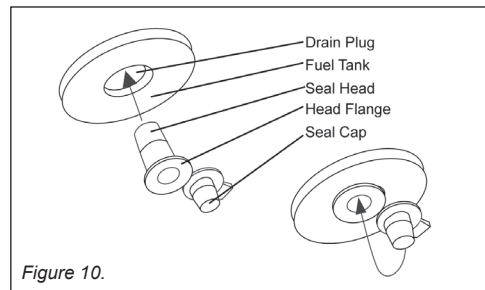
1. Use an approved siphon to drain fuel through the fuel cap opening.

RPH1250KFA / RPH2150KFA Models:

1. Drain fuel through the drain plug in the bottom of the fuel tank.
2. To remove the drain plug, pull the plug grip downward and remove the seal head from the drain hole in the tank. (See Figure 9)



3. Using a small amount of kerosene, rinse and swirl the kerosene inside of the fuel tank, empty the tank fully.
4. To replace the drain plug; push the drain head fully into the drain hole and secure by pushing the seal cap fully into the head hole. (See Figure 10)





IMPORTANT: *Never store leftover kerosene between seasons, using old fuel can damage heater.*

MAINTENANCE



WARNING: *Never service heater while it is plugged in or hot.*

Do not tamper with the unit. Have an experienced serviceman make any necessary adjustment or repairs.

Use only original equipment parts. The use of alternate or third party components can cause unsafe operating conditions and will void your warranty.



Go to www.remingtonpower.co.nz to order parts or for any enquiries.

We suggest following a maintenance schedule as follows:

Fuel & Fuel Tank



Follow the long term storage instructions on the previous page to flush the tank.

Flush tank every 200 hours of operation or as needed. DO NOT flush with water, use fresh kerosene only.

Air Filters

The air intake filter should be replaced or washed with soap and water and dried thoroughly every 500 hours of operation or less depending on conditions.

The output and lint filters should be replaced every 500 hours of operation or less depending on conditions.

Part # for Complete Kit: 70-054-0100



NOTE: *Use of diesel fuel may require additional maintenance*

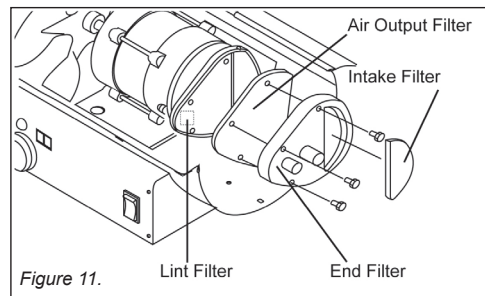


Figure 11.

Fan Blades

Blades should be cleaned at least once per heating season, depending on conditions.

Remove all accumulated dust and dirt with a damp cloth, taking care not to bend any of the fan blades. Be sure the blades are dry before re-starting the heater. For fan assembly removal see Figure 12.

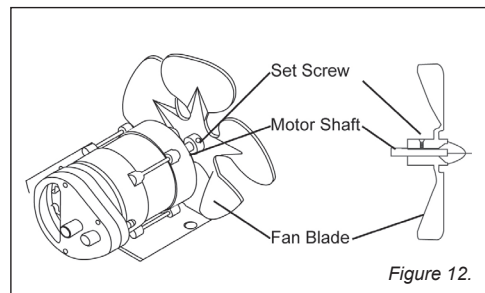


Figure 12.

Fuel Filter

The fuel filter should be cleaned at least twice per heating season. Clean the filter by rinsing it in clean 1-K Kerosene. Contaminated fuel could make cleaning the fuel filter necessary immediately.



NOTE: To remove the filter from models RPH700KFA turn filter 90° clockwise.

To remove the filter from models RPH1250KFA and RPH2150KFA turn filter 90° counter-clockwise.

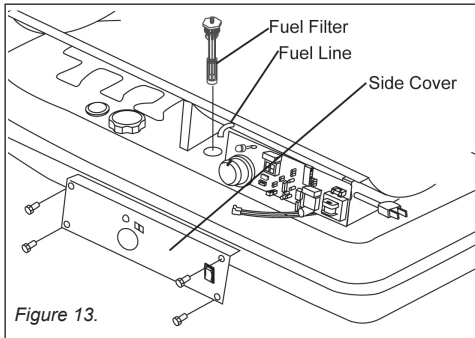


Figure 13.

Spark Plug

Clean and re-gap every 600 hours of operation or replace as needed. After removing the spark plug, clean the terminals with a

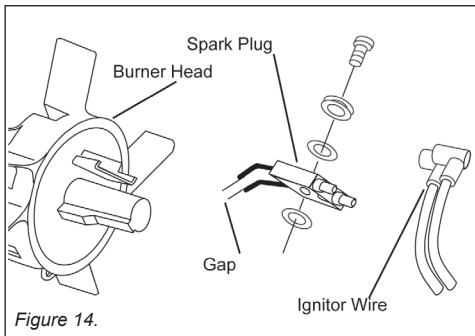


Figure 14.

wire brush. Re-gap the terminals to 0.140" (3.5mm). (See Figure 14)

Photocell

The photocell should be cleaned using a cotton swab dipped in alcohol or water at least once per heating season, or more depending on conditions. See Figure 15.

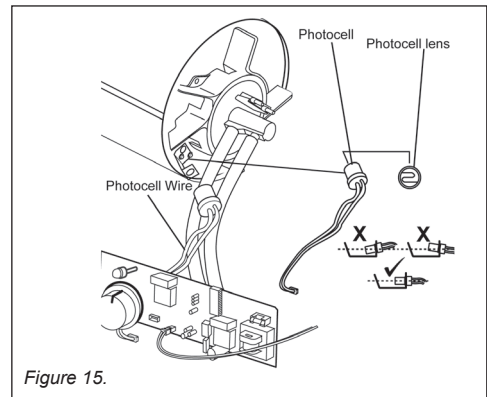


Figure 15.

Nozzles

Nozzles should be cleaned or replaced at least once per heating season. Contaminated fuel could make this necessary immediately. To clean dirt from nozzle, blow compressed air through nozzle front. It may be necessary to soak the nozzle in 1-K kerosene to loosen any dirt particles.

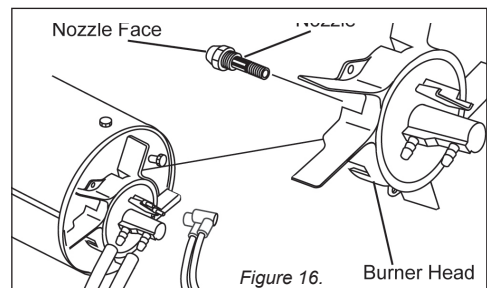


Figure 16.

Pump Pressure

While heater is operating, turn adjusting screw clockwise to increase, counter-clockwise to decrease pressure.

Correct pump pressure is as follows:

| | |
|------------|--------|
| RPH700KFA | 4.0psi |
| RPH1250KFA | 5.0psi |
| RPH2150KFA | 9.0psi |



WIRING DIAGRAM

RPH700KFA / RPH1250KFA / RPH2150KFA Models:

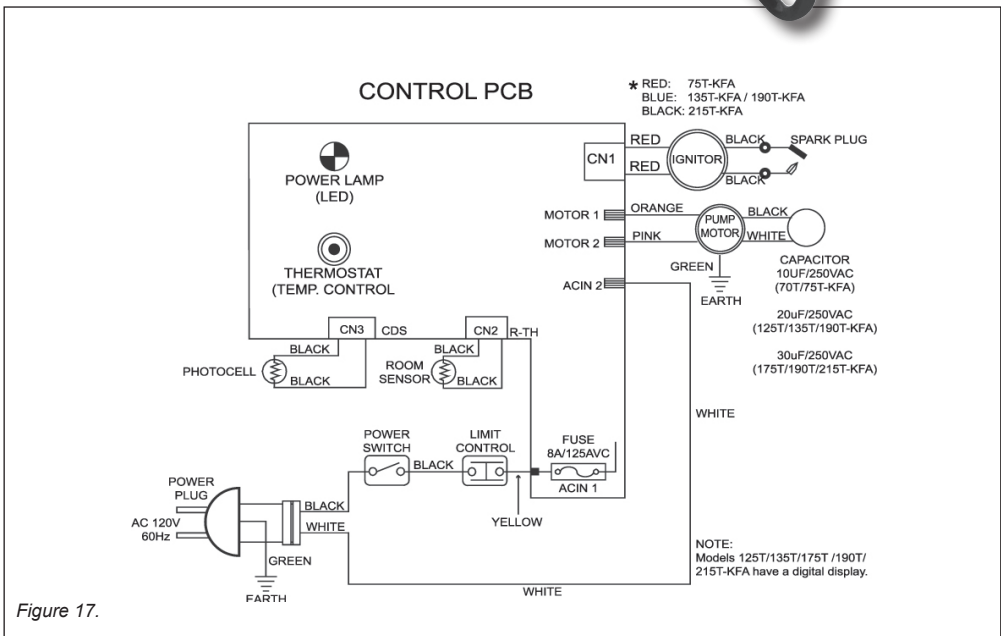
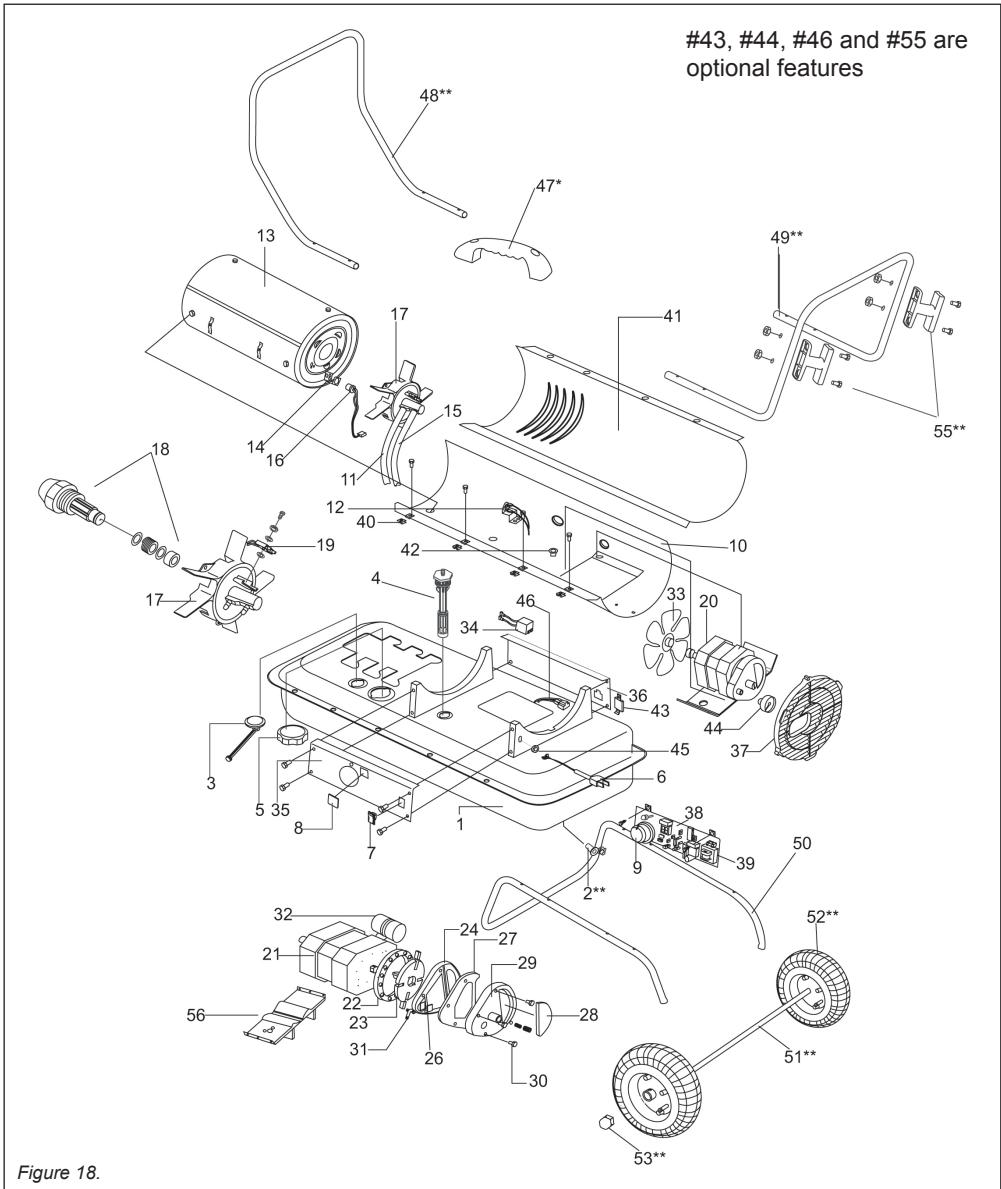


Figure 17.

TROUBLESHOOTING

| PROBLEM (SYMPTOMS) | POSSIBLE CAUSE | SOLUTION |
|--|---|---|
| Heater Ignites, but main PCB shuts off after a short period of time. Lamp flickers and LED display shows "E1". | <ol style="list-style-type: none"> 1. Incorrect pump pressure. 2. Dirty input, output or lint filter. 3. Dirty fuel filter. 4. Nozzle is dirty. 5. Photocell lens is dirty. 6. Photocell not installed properly. 7. Photocell is defective. 8. Improper electrical connection between main PCB and photocell. | <ol style="list-style-type: none"> 1. Adjust pump pressure. 2. Clean / replace air or lint filter. 3. Clean / replace fuel filter. 4. Clean / replace Nozzle. 5. Clean / replace photocell. 6. Adjust photocell position 7. Replace photocell 8. Check wiring connections (see wiring diagrams on page 11). |
| Heater will not operate or motor runs for a short time. Lamp flickers and LED display shows "E1". | <ol style="list-style-type: none"> 1. No kerosene in the fuel tank. 2. Incorrect pump pressure. 3. Corroded spark plug or incorrect plug gap. 4. Dirty fuel filter. 5. Dirty nozzle. 6. Moisture in fuel tank. 7. Improper electrical connection between transformer and circuit board. 8. Ignitor wire not connected to spark plug. 9. Defective ignitor. | <ol style="list-style-type: none"> 1. Fill tank with fresh kerosene. 2. Adjust pump pressure. 3. Clean / replace spark plug. 4. Clean / replace fuel filter. 5. Clean / replace nozzle. 6. Rinse fuel tank with clean, fresh kerosene. 7. Inspect all electrical connections. (See wiring diagrams on page 11.) 8. Re-attach ignitor wire to spark plug. 9. Replace ignitor. |
| Fan does not operate when heater is plugged in and power switch is in the "ON" position. The lamp is flickering or and LED display shows "E1" or "E2". | <ol style="list-style-type: none"> 1. Thermostat is set too low (does not apply to 45-KFA model). 2. Broken electrical connection between main PCB and motor. | <ol style="list-style-type: none"> 1. Rotate thermostat to a higher setting 2. Inspect all electrical connections (see wiring diagrams on page 11). |
| Lamp is flickering and LED display shows "E3". | <ol style="list-style-type: none"> 1. Thermostat switch has failed. | <ol style="list-style-type: none"> 1. Replace thermostat switch (see Wiring diagrams on page 11). |
| Poor combustion and / or excess soot production. | <ol style="list-style-type: none"> 1. Dirty input, output or lint filter. 2. Dirty fuel filter. 3. Poor quality of fuel. 4. PSI is too high or too low. | <ol style="list-style-type: none"> 1. Clean / replace air or lint filter. 2. Clean / replace fuel filter. 3. Flush fuel tank and refuel heater. 4. Use proper pressure. |
| Heater does not turn on and the lamp is not lit. | <ol style="list-style-type: none"> 1. Temperature limit sensor has overheated. 2. No electrical power. 3. Fuse is blown. 4. Improper electrical connection between temperature limit sensor and circuit board. | <ol style="list-style-type: none"> 1. Push power switch to "OFF" and allow heater to cool for 10 minutes. Restart heater. 2. Check power cords for proper connection and test the power supply. 3. Check / replace the fuse. 4. Inspect all electrical connections (see wiring diagrams on page 11). |

PARTS



PARTS LIST

| # | Description |
|----|-----------------------------|
| 1 | Fuel Tank Assembly |
| 2 | Drain Plug |
| 3 | Fuel Gauge Assembly |
| 4 | Fuel Filter Assembly |
| 5 | Fuel Cap |
| 6 | Power Cord |
| 7 | Power Switch |
| 8 | Window Display |
| 9 | Thermostat Control Knob |
| 10 | Lower Shell |
| 11 | Air Line |
| 12 | Thermostat Limit Control |
| 13 | Combustion Chamber Assembly |
| 14 | Photocell Bracket |
| 15 | Fuel Line |
| 16 | Photocell Assembly |
| 17 | Burner Head Assembly |
| 18 | Nozzle Kit |
| 19 | Spark Plug Kit |
| 20 | Motor and Pump Assembly |
| 21 | Motor |
| 22 | Pump Body |
| 23 | Rotor Kit |
| 24 | End Pump Cover |
| 25 | Filter Kit |
| 26 | Lint Filter |
| 27 | Output Filter |
| 28 | Intake Filter |
| 29 | End Filter Cover |
| 30 | Plug/Pump Adjustment Kit |
| 31 | Nipple |
| 32 | Capacitor |

| | |
|----|---------------------|
| 33 | Fan Assembly |
| 34 | Ignitor |
| 35 | Right Side Cover |
| 36 | Left Side Cover |
| 37 | Fan Guard |
| 38 | Main PCB Assembly |
| 39 | Fuse |
| 40 | Clip Nut |
| 41 | Upper Shell |
| 42 | Bushing Grommet |
| 43 | Socket Cover |
| 44 | Air Pressure Gauge |
| 45 | Cord Bushing |
| 46 | Electric Outlet |
| 47 | Handle |
| 48 | Front Handle |
| 49 | Rear Handle |
| 50 | Wheel Support Frame |
| 51 | Wheel Axle |
| 52 | Wheel |
| 53 | Wheel Nut |
| 54 | Hardware Kit |
| 55 | Cord Wrap |
| 56 | Motor Supporter |

Some parts listed may be unavailable.

WARRANTY

To validate your warranty, register your product online at www.remingtonpower.co.nz

Whilst every effort is made to ensure your complete satisfaction with this tool, occasionally, due to the mass manufacturing techniques, a tool may not live up to our required level of performance and you may need the assistance of our service department.

This product is warranted for a 12 month period from the date of the original purchase. If found to be defective in materials or workmanship, the tool or the offending faulty component will be replaced free of charge with another of the same item. A small freight charge may apply. Proof of purchase is essential.

We reserve the right to reject any claim where the purchase cannot be verified. This warranty does not include damage or defects to the tool caused by or resulting from abuse, accidents or alterations. It also does not cover any bonus items or included accessories. Only the heater is covered under this warranty.

Please ensure that you store your receipt in a safe place. Conditions apply to the above warranty.

1. **DURATION:** The manufacturer warrants that it will repair or replace, at no charge for parts or labour, the Remington Heater, if proven defective in material or workmanship, during the following time period(s) after date of original retail purchase:

For 1 Year:

This Remington Heater
Model Numbers: RPH700KFA, RPH1250KFA
and RPH2150KFA.

2. **WHO GIVES THIS WARRANTY (Warrantor):**

EUROQUIP NEW ZEALAND
& EUROQUIP AUSTRALIA
www.euroquip.co.nz

3. **WHO RECEIVES THIS WARRANTY (Purchaser):**

The original purchaser of this Remington Heater

4. **WHAT IS COVERED UNDER THIS WARRANTY:**

Defects in material and workmanship which occur within the duration of the warranty period.

5. **WHAT IS NOT COVERED UNDER THIS WARRANTY:**

- A. Implied warranties, including those of merchantability and FITNESS for a particular purpose are limited in duration to this express warranty. After this period, all risks of loss, from

whatever reason, shall be on the purchaser.

- B. ANY INCIDENTAL, INDIRECT, OR CONSEQUENTIAL LOSS, DAMAGE, OR EXPENSE THAT MAY RESULT FROM ANY DEFECT, FAILURE OR MALFUNCTION OF THIS PRODUCT.
 - C. This warranty does not apply to any accessory or consumable items included with the product which are subject to wear from usage; the repair or replacement of these items shall be at the expense of the owner. These items include, but are not limited to: sparkplugs, seals, o-rings, nozzles, tuning costs, wheels, tyres, bearings, parts, etc. In addition, this warranty does not extend to any damage caused by the untimely replacement or maintenance of any of the previously listed CONSUMABLE parts.
 - D. Any failure that results from accident, purchaser's abuse, neglect or failure to operate products in accordance with instructions provided in the owner's manual(s) supplied with the product.
 - E. Pre-delivery service, i.e. assembly and adjustment.
6. **RESPONSIBILITIES OF WARRANTOR UNDER THIS WARRANTY:** Repair or replace, at Warrantor's option, products or components which have failed within duration of the warranty period.
 7. **RESPONSIBILITIES OF PURCHASER UNDER THIS WARRANTY:**
 - A. Please call your re-seller or the number listed above for warranty assistance.
 - B. Provide dated proof of purchase and maintenance records.
 - C. All generators must be delivered or shipped to the nearest Service Agent or re-seller. Freight costs, if any, must be borne by the purchaser.
 - D. Use reasonable care in the operation and maintenance of the products as described in the owner's manual(s).
 - E. No warranty costs incurred will be considered for, or covered if Euroquip has not been contacted and prior permission for repair / replacement has been granted.
 8. **WHEN WARRANTOR WILL PERFORM REPAIR OR REPLACEMENT UNDER THIS WARRANTY:**

Repair or replacement will be scheduled and serviced according to the normal work flow at the servicing location and depending on the availability of replacement parts.



Congratulations on your new Remington product. We are proud to have you as our customer and will strive to provide you with the best service and reliability in the industry. This product is backed by our extensive warranty and world-wide service network. Please contact your local agent or submit a service case online for fast response at www.remingtonpower.co.nz and find the form under the service tab.