

DURAVAC

NOTHING IS TOUGHER

PRO30L & PRO31M & PRO32HS USER MANUAL



DEAR CUSTOMER

Congratulations on the purchase of your new DuraVac wet/dry vacuum cleaner.



Prior to using the appliance for the first time, be sure to read this document through and keep it ready to read instructions of use.

PURPOSE AND INTENDED USE

This vacuum cleaner is designed, developed and andrigorously tested to function efficiently and safely when properly maintained and used in accordance with the following instructions. This vacuum cleaner is to be used for commercial (hotels, schools, hospitals, factories, offices and rental business) and/or for household use. Accidents due to misuse can only be prevented by those using the machine.

CAUTION: READ AND FOLLOW ALL SAFETY INSTRUCTIONS.

This machine is suitable for picking up dry, nonflammable dust and liquids.

Any other use is considered as improper use. The manufacturer accepts no liability for any damage resulting from such use. The risk for such use is borne solely by the user. Proper use also includes proper operation, servicing and repairs as specified by the supplier.

! ATTENTION: REVIEW IMPORTANT SAFETY INSTRUCTIONS BEFORE ATTEMPTING TO USE THIS VACUUM CLEANER. RETAIN FOR FUTURE REFERENCE

! DANGER: Never operate this unit when flammable materials or vapors are present because electrical devices produce arcs or sparks that can cause a fire or explosion.

NEVER OPERATE UNATTENDED!



! WARNING: Always wear eye protection to prevent rocks or debris from being blown or ricocheting into the eyes or face which can result in serious injury.

1. IMPORTANT SAFETY INSTRUCTIONS

- Warning and information plates on the machine provide important directions for safe operation.
- Apart from the notes contained herein the general safety provisions and rules for the prevention of accidents of the legislator must be observed.

1.1 SYMBOLS USED ON THE MACHINE

WARNING

The **Dust Class H version** is suitable for following applications:

The appliance is suited for the extraction of dry, non-combustible, harmful dusts on machines and appliances; dust class H according to EN 60 335–2–69

For Dust Class H machines following applies: The appliance is suitable for picking up dry, nonflammable dust, non flammable liquids, hazardous dusts with OEL (Occupational Exposure Limit) values, carcinogenic dusts, dusts containing germs. Dust Class H machines are also approved for asbestos abatement according to TRGS 519 (Not valid for Australian machine)

Dust Class H (IEC 60335-2-69). The dusts which belong to this class are: dusts with OEL values (Occupational Exposure Limit), all carcinogenic dusts and dusts which are mixed with pathogenic agents. Vacuums for Dust Class H are tested in their entirety and have a maximum degree of permeability of 0.005%. The disposal must be dust free.



The safety label warns: This appliance contains dust hazardous to health. Emptying and maintenance operations, including removal of the dust collecting means, must only be carried out by authorised personnel wearing suitable personal protection. Operate only after the full filtration system has been fitted and checked.

The **Dust Class M version** is suitable for following applications:

The appliance is suited for the extraction of dry, non-combustible, harmful dusts on machines and appliances; dust class M according to EN 60 335–2–69. Restriction: No carcinogenic substances except wood chips may be vacuumed up.

The Dust Class M version contains hazardous dust. Emptying and maintenance, including the removal of the dust bag, may only be carried out by someone who is familiar with the unit and wearing suitable protective gear. Do not switch on the unit until the complete filter system has been installed and the function of the volume-flow control has been tested.



- Note: You can use this appliance to take up all types of dust up to dust class M. It is statutorily necessary to use a dust collection bag.
- Note: The appliance is suited as industrial vacuum cleaner and as dedusting device for the mobile operation to take up dry, noncombustible dusts with AGW values greater than or equal to 0.1 mg/m³.
- When vacuuming up fine dust, an additional fleece filter bag or a dust bag must additionally be used

This Dust Class L version suitable for the following applications:

- A Dust Class L appliance is suitable for picking up dry, nonflammable dusts, liquids, wood chips and hazardous dusts with an exposure limit value of > 1 mg/m³. The appliance must be equipped with a suitable filter corresponding to the hazard classification of the dusts to be picked up.
- Pick up only hazardous substances in accordance with IEC/EN 60335-2-69 (class L) with the appropriate vacuum cleaner. Use for picking up other hazardous substances is prohibited.



1.2 HAZARDS LEVELS

DANGER

Pointer to immediate danger, which leads to severe injuries or death.

WARNING

Pointer to a possible dangerous situation, which can lead to severe injuries or death.

CAUTION

Pointer to a possible dangerous situation, which can lead to minor injuries.

- Do not vacuum in the vicinity of the head when using the nozzle and suction hose

1.3 SAFETY INSTRUCTIONS

DANGER

- When the outgoing air is carried back into the room, a sufficient ventilation rate L in the room must be ensured. To comply with the required limit values the carried back volume flow must be 50% of the fresh air volume flow (room volume VR x ventilation rate LW) at maximum. Without a specific ventilation system the following applies: $LW=1h^{-1}$.
- Only persons trained in the use of the machine and the handling of substances for which the machine is to be used including training in the safe disposal of the sucked-in material may use the machine.
- This appliance can contain harmful dust. Evacuation and maintenance work, including the disposal of the dust collection containers, may only be performed by specialists who wear the appropriate protective equipment.
- Do not use the appliance without the complete filtering system.
- Please follow the safety regulations applicable to the materials that are to be sucked up.

1.4 POWER CORD

DANGER

- The voltage indicated on the type plate must correspond to the voltage of the electrical source.
- Please use the mains cable prescribed by the manufacturer; the same is also applicable when you replace the cables.
- Check the power cord with mains plug for damage before every use. If the power cord is damaged, have it replaced immediately by the authorised customer service/electrician in order to avoid possible hazards.
- The appliance may only be connected to an electrical supply which has been installed by an electrician in accordance with IEC 60364.
- Never touch the mains with wet hands.
- Make sure that the power cord or extension cables are not damaged by running over, pinching, dragging or similar. Protect the cable from heat, oil, and sharp edges.
- The power cord must be checked regularly for damages, such as cracks or aging. If damage is found, the cable must be replaced before further use.
- If couplings of the power cord or extension cable are replaced the splash protection and the mechanical tightness must be ensured.
- Do not clean the appliance with a water hose or high pressure water jet (danger of short circuits or other damage).

1.5 APPLICATION

DANGER

- Appliances with working equipment, specifically the power cord and the extension cable, must be checked to ensure that it is in proper working order and is operating safely prior to use. Otherwise, immediately pull out the power plug. The appliance must not be used.

- Do not vacuum up any burning or glowing objects.
- Humans and animals must not be vacuumed with this appliance.
- Appliances may not be used in outside areas in low temperatures.
- If the appliance is used in hazardous areas (e.g. filling stations) the corresponding safety provisions must be observed.
- It is not allowed to use the appliance in hazardous locations.
- Certain materials may produce explosive vapours or mixtures when agitated by the suction air!
- CAUTION This machine shall be stored indoors only
- CAUTION This machine is for indoor use only
- Never vacuum up the following materials:
 - Explosive or combustible gases, liquids and dust particles (reactive dust particles)
 - Reactive metal dust particles (such as aluminium, magnesium, zinc) in combination with highly alkaline or acidic detergents
 - Undiluted, strong acids and alkalies
 - Organic solvents (such as petrol, paint thinners, acetone, heating oil).In addition, these substances may cause the appliance materials to corrode.

1.6 OPERATION

DANGER

- The operator must use the appliance properly. The person must consider the local conditions and must pay attention to third parties, in particular children, when working with the appliance.
- Never leave the appliance unattended as long as it is in operation and the power cord has not been pulled.
- Always use appropriate gloves while working with the device.
- The appliance may only be used by persons who have been instructed in handling the appliance or have proven qualification and expertise in operating the appliance or have been explicitly assigned the task of handling the appliance.
- This appliance is not intended for use by persons (including children) with reduced physical, sensory or mental capabilities, or lack of experience and knowledge, unless they have been given supervision or instruction concerning use of the appliance by a person responsible for their safety.
- Children should be supervised to prevent them from playing with the appliance.
- This appliance is designed only for dry applications and should not be used or stored in the open under moist conditions, unless expressly marked otherwise.

WARNING

- The appliance is not suitable for vacuuming dust which endangers health.
- Do not allow the supply cord to come into contact with the rotating brushes.
- Operators shall be adequately instructed on the use of these machines.
- Before use, operators shall be provided with information, instruction and training for the use of the machine and the substances for which it is to be used, including the safe method of removal and disposal of the material collected

1.7 TRANSPORT

WARNING

- The motor is to be brought to a standstill and the appliance is to be fastened properly during transportation.

CAUTION

- In order to prevent accidents or injuries, mind the weight of the appliance during transport (see technical data).

1.8 MAINTENANCE

DANGER

- Switch off the appliance and, in case of appliances connected to the mains, pull out the power cord before cleaning and performing any maintenance tasks on the machine.
- In order to carry out maintenance work, the user must disassemble, clean and service the unit, in so far as this is possible without endangering maintenance personnel and other persons. Suitable precautions include decontamination before the unit is disassembled. Precautions must be taken for local filtered forced air ventilation at the place where the unit is disassembled, the cleaning of the maintenance surface and suitable protection of the personnel.
- The outside of the unit should be cleaned thoroughly and any harmful substances removed. Alternatively, a sealed coating may be applied before the unit is removed from the danger area. All unit parts are to be considered contaminated when they are removed from the danger area. To avoid distribution of the dust, you must take the appropriate measures.
- In the framework of maintenance and repair work all contaminated objects that cannot be cleaned satisfactorily must be disposed of. Such objects must be disposed of in impermeable bags in accordance with the valid provisions for the disposal of such waste.
- When transporting or maintaining the device, the suction opening must be closed with the plug.
- Maintenance work may only be carried out by approved customer service outlets or experts in this field who are familiar with the respective safety regulations.
- Please observe the local safety regulations regarding portable commercially used appliances.
- Risk due to dust hazardous to health. Always use disposal clothing and P2 or higher breath-safe masks while carrying out maintenance tasks (such as changing filters).
- For class M machines, the outside of the machine should be decontaminated by vacuum cleaning methods and wiped clean or treated with sealant before being taken out of a hazardous area. All the machine parts shall be regarded as contaminated when removed from the hazardous area and appropriate action taken to prevent dust dispersal
- You can test the servifiltration capacity of the device using the test procedure specified in EN 60 335–2–69 22.AA.201.2. This test must be done at least once a year or more frequently if the national regulations demand it. If the test results are negative, the test is to be repeated with a new cartridge filter.

ATTENTION

Risk of damage! Do not use detergents containing silicone to clean.

- *No outside help is required for carrying out basic maintenance and cleaning.*
- *The appliance surface and the inside of the container should be cleaned regularly using a damp cloth.*

1.9 SAFETY DEVICES!

CAUTION

- Safety installations serve the protection of the user and may not be modified or bypassed.

WARNING

- Safety equipment for preventing hazards must be serviced and maintained regularly. This means that the manufacturer's staff or persons trained by the manufacturer must check the equipment for proper functioning at least once a year, i.e. check for leaks, filter damage, functioning of the controlling elements, etc.

Warning light and sound!

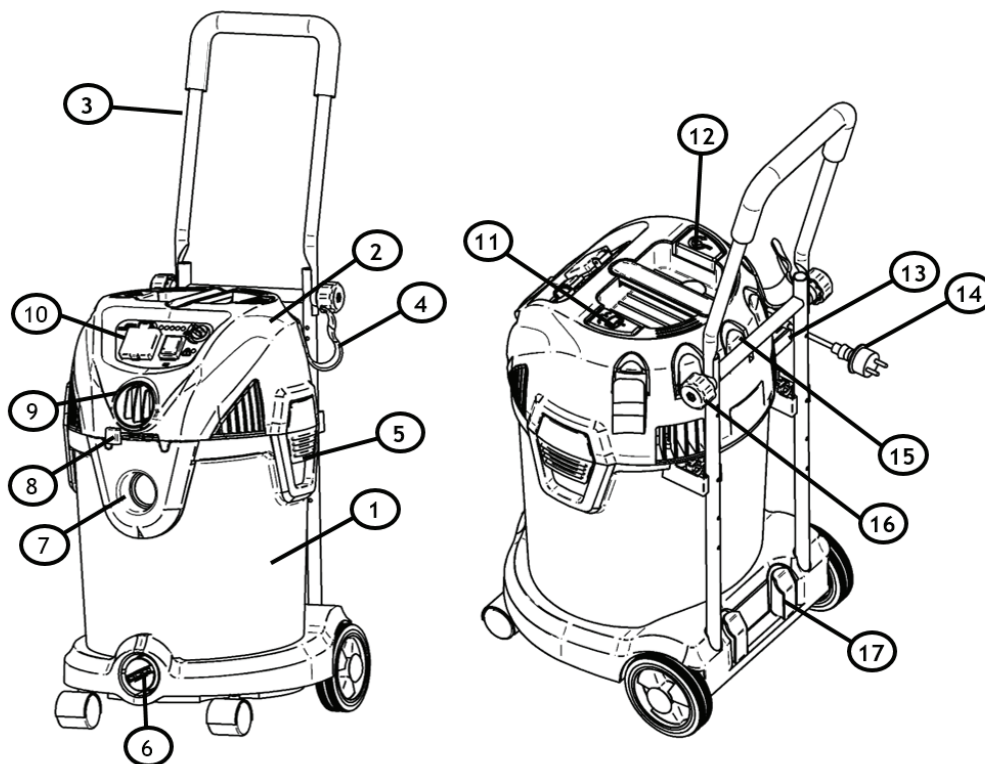
- Warning light and/or warning sound will go on when the air speed in hose falls below 20 m/s for Dust Class M.

1.10 Tests and approvals

Electrical tests must be performed in accordance with the provisions of safety regulations EN 62638. These tests must be performed at regular intervals and after repairs or modifications. The vacuum cleaner has been approved in accordance with IEC/EN 60335-2-69.

2. OVERVIEW

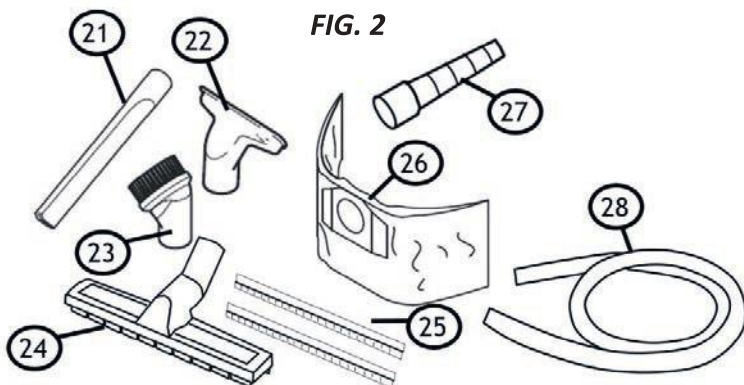
FIG. 1



- 1. Tank
- 2. Head
- 3. Trolley (optional)
- 4. Hose and cord storage hook (optional)
- 5. Clamp
- 6. Drain outlet
- 7. Suction inlet
- 8. Blow regulation (only Dust Class L machines)
- 9. Blow outlet or hose size adjustment
- 10. Control panel

- 11. Filter Cleaning Button (optional)
- 12. Cord rewind button (optional)
- 13. Parking hook receptable
- 14. Cord Plug
- 15. Nozzle storage holders
- 16. Trolley lock screw
- 17. Tube storage holders

FIG. 2



- 21. Crevice Nozzle
- 22. Upholstery nozzle
- 23. Brush nozzle
- 24. Floor nozzle (dry pickup)
- 25. Squeegee insert (wet pickup)
- 26. Dust bag
- 27. Power tool adapter (optional)
- 28. Hose with handtube

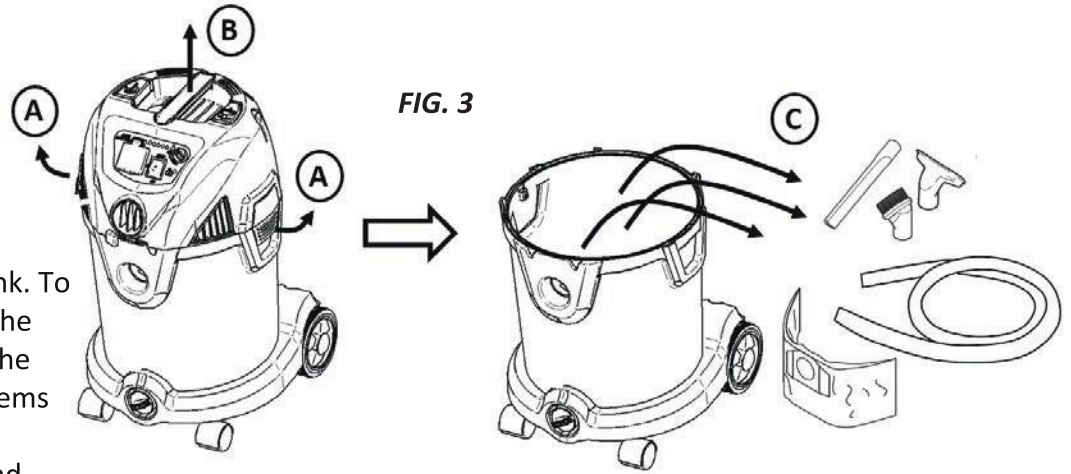
Some of these accessories are packed inside the tank. **If parts are missing, contact our Customer Service Dep.**

3. FIRST TIME SET UP INSTRUCTIONS

Read chapter 1 – **IMPORTANT SAFETY INSTRUCTIONS** of this manual thoroughly before setting up and using this vacuum cleaner.

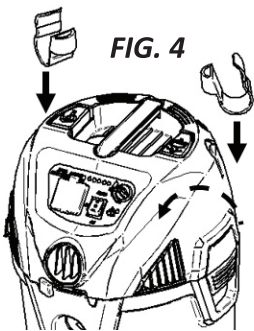
3.1 ACCESSORIES

The nozzles and accessories for the machine is during shipping stored in tank. To open the tank open the clamps and take off the head. Take out the items and put on the head again. Secure the head with the clamps.



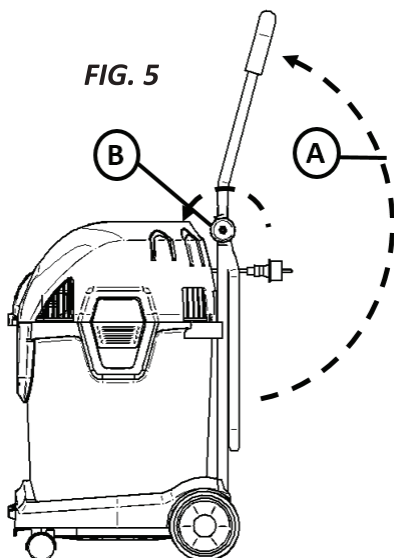
See chapter 6 where to store the accessories on the machine.

3.2 MOUNTING OF HOSE AND CORD HOLDER



Add the two hose/cord holders in the appropriate receptable on the head

3.3 PREPARING THE TROLLEY (OPTIONAL)



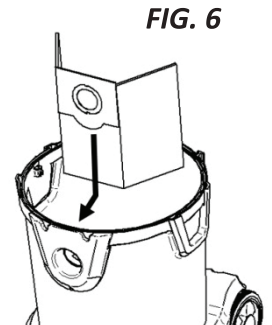
The trolley can be folded during transportation. To fix it in the upright position swing the top trolley part up (A) and fix it with the 2 screws (B). Make sure to tighten both sides equal.

4. USING THE VACUUM CLEANER

Read chapter 1 – **IMPORTANT SAFETY INSTRUCTIONS** of this manual thoroughly before setting up and using this vacuum cleaner.

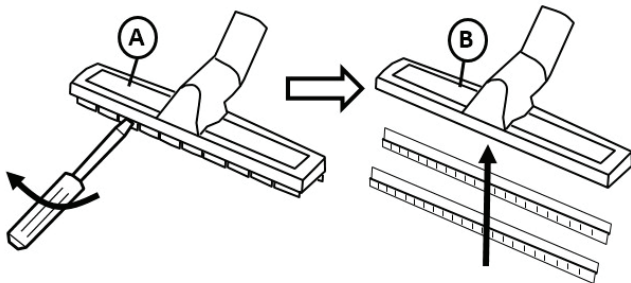
4.1 WORKING WITH DUST BAGS

If sucking up dry dust an optional dust bag can be used to collect the dust and ease the disposal. To insert the dust bag take off the head (see also figure 3). Insert the dustbag like shown on figure 6. Put on the head again and secure the head with the clamps.



4.2 DRY OR WET FLOOR SUCTION

FIG. 7



To suck up dry dust and debris use the dry floor nozzle **(A)** with the bristles rim.
To suck up wet debris replace the brush rim with a screwdriver and insert the rubber squeegees

4.3 VACUMING - INSERTING AND REMOVING THE HOSE

To vacuum insert the hose **(A)** into the suction inlet **(B)**.
To remove the hose twist and pull in one movement to remove **(C)**

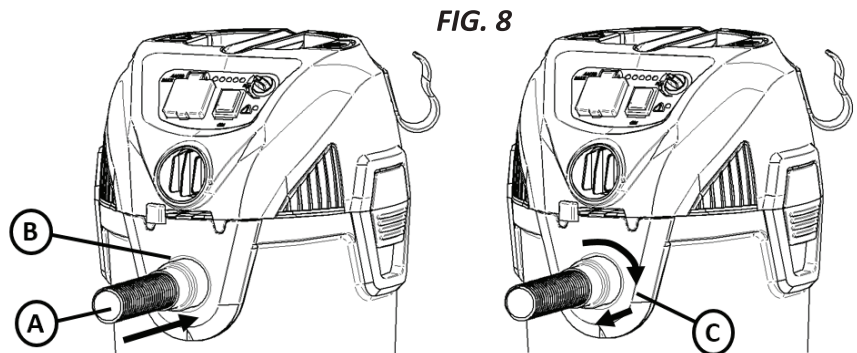
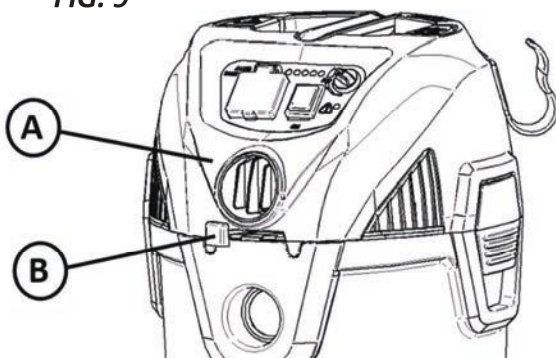


FIG. 9



4.4 BLOWING - INSERTING AND REMOVING THE HOSE

The machine can also be used for blowing. In some cases it is easier first to blow the debris away and then afterwards collect it.

To use the blow function insert the hose into the blow outlet **(A)** in the same way for the suction inlet. See above. The blowing can be controlled by the lever **(B)**

4.5 TURNING THE MACHINE ON

The machine is turned on/off by pressing the start/ stop button (A).

The machine can optionally be equipped with LEDs with power control (C). By turning the knob the suction of the machine can be controlled. The suction performance is also shown by the LEDs. If equipped with LED the 1st LED from left, when the machine is plugged in, will be ON.

To use the optional socket (B) see next chapter.

The machine can optionally be configured with an indicator (D). The indicator goes on, when the underpressure is high. This can be due to the filter being clogged and needs to be cleaned (see later chapter) or the bag is full and need to be replaced.

FIG. 10

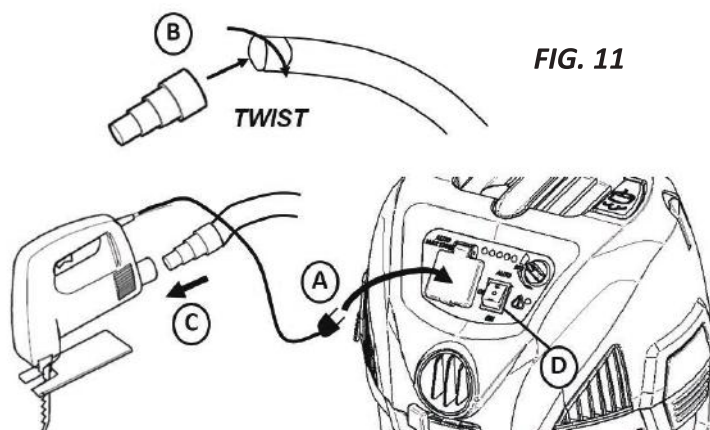
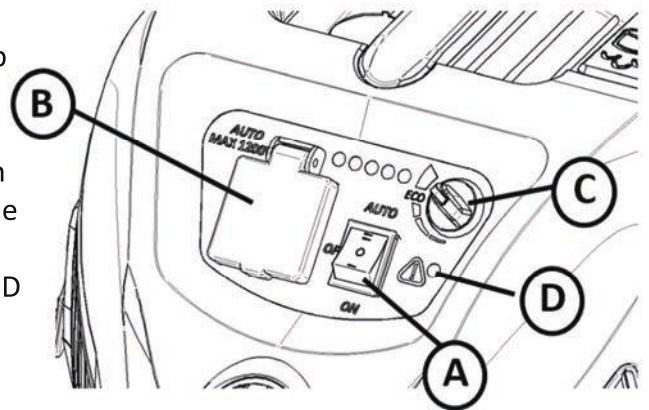


FIG. 11

4.6 MACHINE WITH SOCKET AND AUTO START/STOP (OPTIONAL)

The machine can optionally be equipped with a socket that can be used in connecting with a power tool. Connect the power tool to the socket (A). Remove the handtube and fix the conical adapter (B). Insert the conical adapter to the power tool (C). Turn the machine to AUTO mode with the switch (D). The machine will then start, when the power tool is turned on and stop with a delay (in order to empty the hose) when the power tool is turned off.

! WARNING - Do not operate without filter basket and float, as they prevent liquid from entering the impeller and damaging the motor. Do not suck up any liquids without a sponge filter installed.

! WARNING - To reduce the risk of back injury or falls, do not lift a vacuum cleaner heavy with liquid or debris. Scoop or drain enough contents out to make the vacuum cleaner light enough to lift in a comfortable manner.

NOTE: IF ACCIDENTALLY TIPPED OVER, THE VACUUM COULD LOSE SUCTION. IF THIS OCCURS, PLACE VAC IN UPRIGHT POSITION AND TURN SWITCH OFF. THIS WILL ALLOW THE FLOAT TO RETURN TO ITS NORMAL POSITION, AND YOU WILL BE ABLE TO CONTINUE OPERATION.

! WARNING - Read the Safety Warnings and Instructions concerning the types of wet materials that cannot be vacuumed with this product.



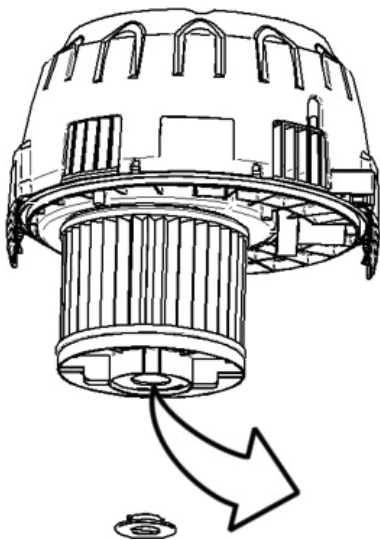
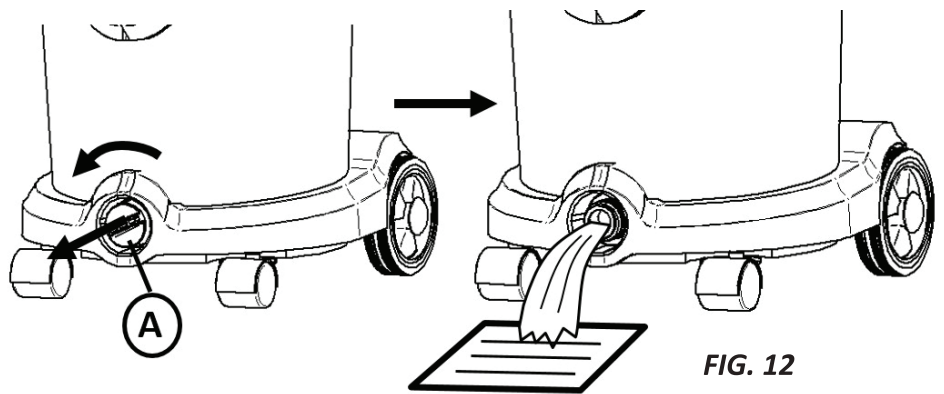
! DANGER - This equipment incorporates parts such as switches, motors or the like that tend to produce arcs or sparks that can cause an explosion. Do not pick up flammable, combustible, or hot materials. Do not use around explosive liquids or vapors, as electrical devices produce arcs or sparks which can cause a fire or explosion - do not use at filling stations or anywhere gasoline is stored or dispensed.



This vacuum cleaner has a built in thermal overload protector to protect the motor from high temperatures. This can occur under heavy use. If the motor temperature shuts off during operation, turn the switch off and allow the motor to cool for 5 minutes. Turn switch on and resume operation.

4.7 EMPTYING THE TANK FOR LIQUID

To empty the tank for liquid unscrew the drain plug (A) and remove it.

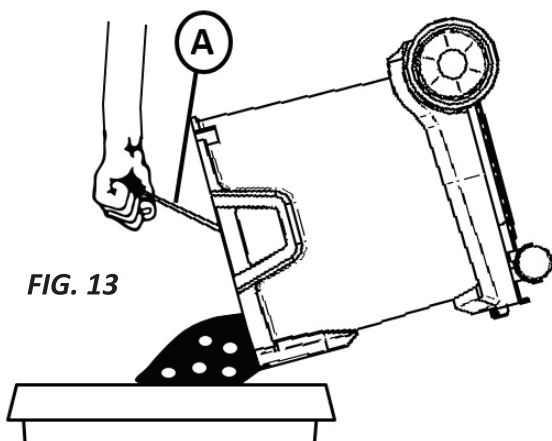


Discharge water from filter.

4.8 EMPTYING THE TANK FOR DUST/DEBRIS

To empty the tank for dust/debris take off the head (see chapter 3.1). If using a dust bag remove the dust bag and insert a new.

Machines with plastic tanks are equipped with a handle (A) that can be using during disposal of the dust/debris.



5. FILTER CLEANING

The machine can optionally be equipped with a semi automatic filter cleaning system or fully automatic filter cleaning system.

5.1 MANUAL FILTER CLEANING

When sucking fine dust the filter will eventually get clogged and suction will go down. The filter therefore needs to be cleaned to restore suction. If the machine is not equipped with semi- or fully automatic filter cleaning system (see next chapters), the filter can be cleaned in the following manual way. Turn the knob **(A)** and remove the knob from the filter disc **(B)**. Remove the filter **(C)**. Clean the filter under cold water **(D)**. Let it dry **(E)** until completely dry. Install backwards by adding filter **(F)**. Fixing the filter disc **(G)** and securing it with the knob **(H)**.

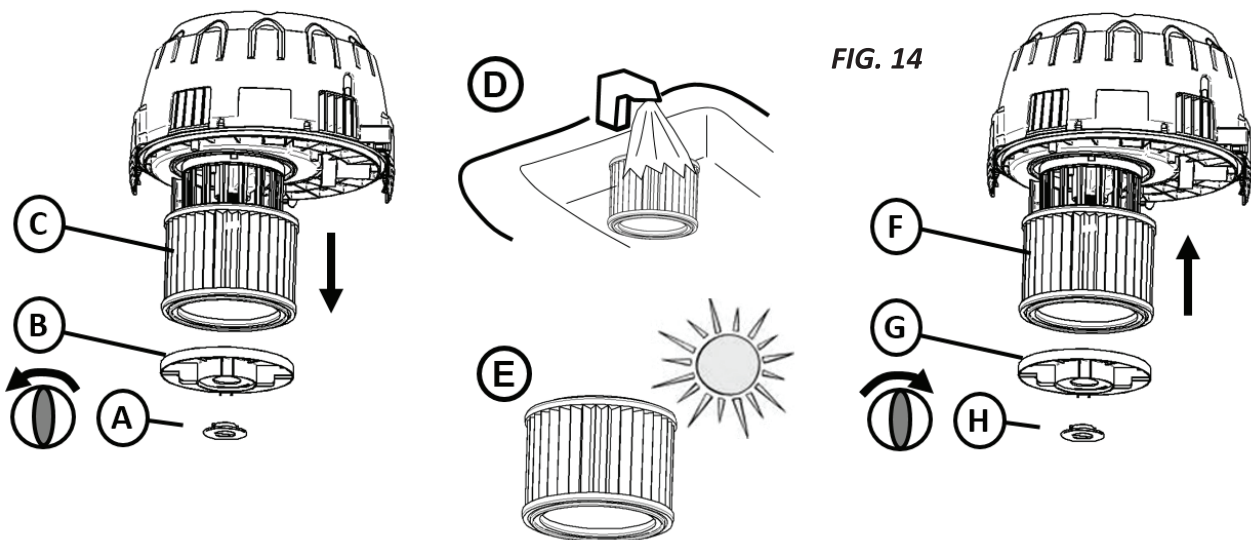


FIG. 14

5.2 SEMI AUTOMATIC FILTER CLEANING (OPTIONAL)

When the machine is equipped with the semi automatic filter cleaning system, the filter can be cleaned by closing the inlet of the handtube **(A)**. However, first turn the machine to max. power if equipped with power control (see figure 10). Close the inlet which can be done with your hand or the receptacle/hole in the machine **(B)** can be used. After closing the inlet wait 2-3 seconds until the maximum underpressure has been built up. Press the filter cleaning button **(C)** 5 times fast after each other. This action will clean the filter and restore suction performance.

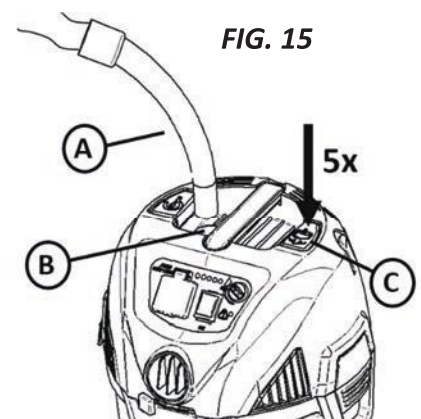


FIG. 15

5.3 FULLY AUTOMATIC FILTER CLEANING (OPTIONAL)

The fully automatic filter cleaning system cleans the filter automatically approx. every 20 seconds. The filter cleaning takes less than a second and a very little interruption of the suction performance takes place during the filter cleaning. A small “bang” can be heard. The automatic filter cleaning system works best, when the underpressure in the machine is high. If filter for some reason should be clogged and suction is low then turn the machine to max. power (if configured with power controller) then close the inlet of the machine and wait until a small “bang” can be heard. The filter will then be cleaned and suction restored.

6. DURING OR AFTER USE, STORAGE

Store vacuum cleaner INDOOR in a room above 0°C and store in a dry room.

The tubes can be stored either single (A) on the back of the machine e.g. when the machine is being moved from one place to the other or together (B) via the parking hook/function in between use.

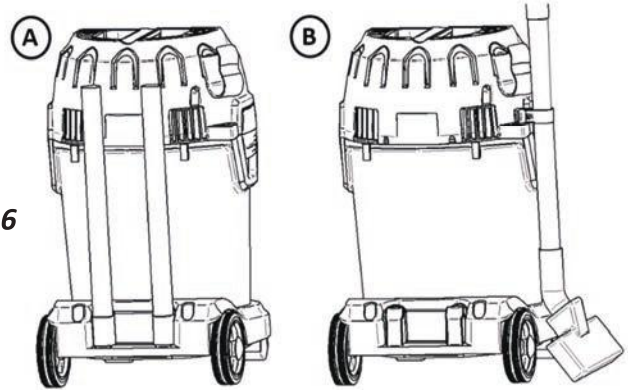


FIG. 16

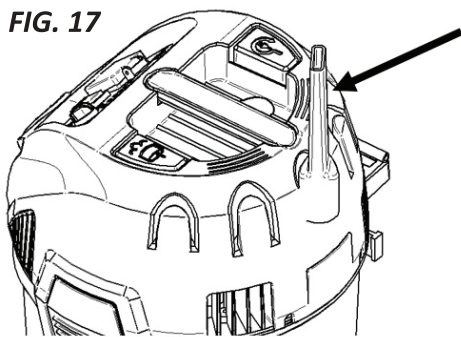


FIG. 17

The nozzles can be stored in the accessory holders on the head

For machine without cord rewriter the cord (A) can be stored in the hooks. These hooks can also be used for storing the hose (B) by coiling it around the machine

FIG. 18

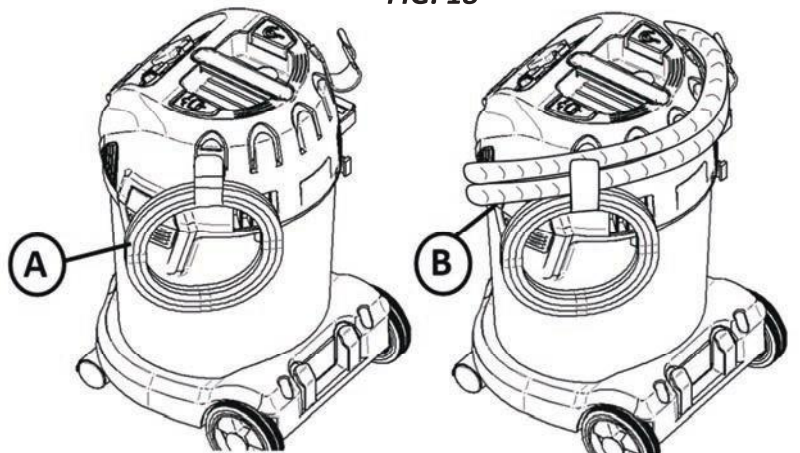
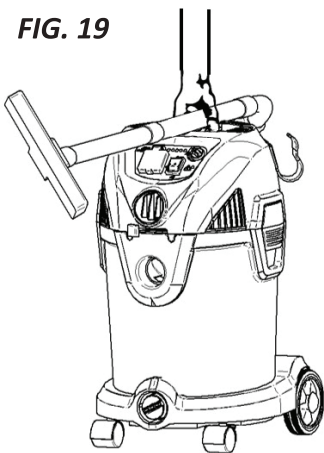


FIG. 19



When transporting from one place to another the tubes can be put on the handle as seen on figure



WARNING! When not in use: disconnect the power cord from the electrical outlet.

7. TROUBLE SHOOTING

Repair or service of electrical components such as cord or motor, must only be carried out by an authorized service center.

Vacuum does not start:	<ul style="list-style-type: none"> • Check to see that the plug is correctly inserted in the electrical outlet and that there is power at receptacle. • A circuit breaker may have tripped. Check the circuit breaker box. • The cord or plug may be damaged. Call the Customer Service Department to get the nearest authorized service center.
Motor does not run in automatic mode	<ul style="list-style-type: none"> • Power tool defective or not connected properly. Check that the power tool works or that the plug is inserted correctly. • The power rating of the electrical tool is too low. Note that minimum power rating is P>50W
Motor stops:	<ul style="list-style-type: none"> • A thermal overload protector will shut off the motor if the motor temperature is too high. If this occurs, turn the switch off. Wait 10 minutes for the motor to cool. Turn switch on and resume operation.
Suction power is reduced:	<ul style="list-style-type: none"> • The tank may be full and needs to be emptied. See chapter 4.7 and 4.8. • The wands, hose and nozzle may be clogged and need to be cleaned. • Any of the above may be damaged and need to be replaced. • The filter may be clogged. Use the Filter Cleaning System (see chapter 5), to clean the filter. • Check the filter and replace it, if it's necessary. Make sure that is installed properly. • The hose connection is loose and need to be tightened.
Static shocks:	<ul style="list-style-type: none"> • If the environment is too dry, add moisture to air. If possible, use a humidifier. • In case the relative humidity of air is low, please note that this situation will not have any effect on use of the vacuum cleaner.




Warning light and buzzer goes on (M-Class and H-Class) Check that the hose size is adjusted to the correct size of hose used

See "suction power is reduced"

Check that the power control is not adjusted too low for the application

9. PRODUCT SPECIFICATIONS

Repair or service of electrical components such as cord or motor, must only be carried out by an authorized service center.

Model name	PRO30L	PRO31M	PRO31M
Voltage	220-240V	220-240V	220-240V
Frequency	50Hz/60Hz	50Hz/60Hz	50Hz/60Hz
Power	1000 W	1000 W	1000 W
Connected load for appliance socket	2400 W	2400 W	2400 W
Total Power	3600 W	3600 W	3600 W
Protection Class	L-Class	M-Class	H-Class
Tank volume	30L	30L	30L
Vibration	ah < 2.5 m/s ²	ah < 2.5 m/s ²	ah < 2.5 m/s ²
Pressure level at a distance of 1 m, EN 60704-1	76 +/- 2 dB(A)	76 +/- 2 dB(A)	76 +/- 2 dB(A)
Power level	86 +/- 2 dB(A)	86 +/- 2 dB(A)	86 +/- 2 dB(A)
	Antistatic	Antistatic	Antistatic
			

Warranty

Whilst every effort is made to ensure your complete satisfaction with this tool, occasionally, due to the mass manufacturing techniques, a tool may not live up to our required level of performance and you may need the assistance of our service department.

This product is warranted for 12 months use from the date of the original purchase. If found to be defective in materials or workmanship, the tool or the offending faulty component will be replaced free of charge with another of the same item. A small freight charge may apply. Proof of purchase is essential.

We reserve the right to reject any claim where the purchase cannot be verified. This warranty does not include damage or defects to the tool caused by or resulting from abuse, accidents, alterations or commercial or business use. It also does not cover any bonus items or included accessories. Only the generator is covered under this warranty.

Please ensure that you store your receipt in a safe place. Conditions apply to the above warranty.

1. DURATION:

The manufacturer warrants that it will repair or replace, at no charge for parts or labour, the DURAVAC PRO SERIES, if proven defective in material or workmanship, during the following time period(s) after date of original retail purchase:

***For 12 months use - DURAVAC PRO30L & PRO31M
PRO32HS (excluding accessories)***

2. WHO GIVES THIS WARRANTY (Warrantor):

EUROQUIP NZ	EUROQUIP AUSTRALIA
Service Line:	Service Line:
+ + 64 3 547 8409	1 - 800 040 947

3. WHO RECEIVES THIS WARRANTY (Purchaser):

The original purchaser of this DURAVAC PRO SERIES

4. WHAT IS COVERED UNDER THIS WARRANTY:

Defects in material and workmanship which occur within the duration of the warranty period.

5. WHAT IS NOT COVERED UNDER THIS WARRANTY:

- A. Implied warranties, including those of merchantability and FITNESS for a particular purpose are limited in duration to this express warranty. After this period, all risks of loss, from whatever reason, shall be on the purchaser.
- B. ANY INCIDENTAL, INDIRECT, OR CONSEQUENTIAL LOSS, DAMAGE, OR EXPENSE THAT MAY RESULT FROM ANY DEFECT, FAILURE OR MALFUNCTION OF THIS PRODUCT.
- C. This warranty does not apply to any accessory or consumable items included with the product which are subject to wear from usage; the repair or replacement of these items shall be at the expense of the owner. These items include, but are not limited to: hose's, floor tools, filters, bags, etc. In addition, this warranty does not extend to any damage caused by the untimely replacement or maintenance of any of the previously listed CONSUMABLE parts.
- D. Any failure that results from accident, purchaser's abuse, neglect or failure to operate products in accordance with instructions provided in the owner's manual(s) supplied with the product.
- E. Pre-delivery service, i.e. assembly and adjustment.

6. RESPONSIBILITIES OF WARRANTOR UNDER THIS WARRANTY:

Repair or replace, at Warrantor's option, products or components which have failed within duration of the warranty period.

7. RESPONSIBILITIES OF PURCHASER UNDER THIS WARRANTY:

- A. Please call your re-seller or the number listed above for warranty assistance.
- B. Provide dated proof of purchase and maintenance records.
- C. All vacuum must be delivered or shipped to the nearest Service Agent or re-seller. Freight costs, if any, must be borne by the purchaser.
- D. Use reasonable care in the operation and maintenance of the products as described in the owner's manual(s).
- E. No warranty costs incurred will be considered for, or covered if Euroquip has not been contacted and prior permission for repair / replacement has been granted.

8. WHEN WARRANTOR WILL PERFORM REPAIR OR REPLACEMENT UNDER THIS WARRANTY:

Repair or replacement will be scheduled and serviced according to the normal work flow at the servicing location and depending on the availability of replacement parts.



Congratulations on your new DURAVAC product. We are proud to have you as our customer and will strive to provide you with the best service and reliability in the industry. This product is backed by our extensive warranty. To locate your nearest distributor or service agency call **0800 387 678**, or email us at customerservice@euroquip.co.nz.