



# M-CLASS MAXUM

M-CLASS DUST EXTRACTOR

M-CLASS MAXUM 230V  
MODEL: 21372 M-CLASS MAXUM

## OPERATING INSTRUCTIONS

THIS GUIDE HAS BEEN DESIGNED TO HELP YOU GAIN AN UNDERSTANDING  
OF THE DUST PROBLEM AND GET THE BEST USE OUT OF YOUR NEW  
LUNG SAFE DUST VACUUM CLEANER



SECTION 01: THE DUST PROBLEM, UNDERSTAND IT!

SECTION 02: DURAVAC M-CLASS MAXUM OPERATORS MANUAL



## INTRODUCTION

Your new DURAVAC M-Class Maxum will more than satisfy your expectations. It has been manufactured under stringent quality standards to meet superior performance criteria. You will find your new tool easy and safe to operate, and, with proper care, it will give you many years of dependable service.

### CAUTION:

Carefully read through this entire Instruction Manual before using your new DURAVAC M-Class Maxum. Take special care to heed the cautions and warnings.

Your vacuum has many features that will make your job faster and easier. Safety, performance, and dependability have been given top priority in the development of this tool, making it easy to maintain and operate.

## ENVIRONMENTAL PROTECTION

Recycle unwanted materials instead of disposing of them as waste. All tools, hoses and packaging should be sorted, taken to the local recycling centre and disposed of in an environmentally safe way.



## SCOPE OF PRODUCT

This product is suited for home, camping and emergency power applications. It will operate most power tools, appliances and lighting.

## DESCRIPTION OF SYMBOLS

The rating plate on your tool may show symbols. These represent important information about the product or instructions on its use.



Wear hearing protection.  
Wear eye protection.  
Wear breathing protection.



Conforms to relevant standards for electromagnetic compatibility.

## SPECIFICATIONS

<b>CABLE LENGTH:</b>	5 metres
<b>MOTOR POWER:</b>	800W
<b>VOLTAGE:</b>	11/240V – 50/60Hz
<b>AIR FLOW:</b>	Measured at 20-25L/sec
<b>LIFT POWER:</b>	2400mm / 18kPa
<b>TANK SIZE:</b>	15L – 8.5L (dry waste)
<b>WEIGHT:</b>	Gross: 7Kg   New 6Kg
<b>FILTRATION:</b>	M-Class Certified
<b>NOISE:</b>	76dB
<b>DIMENSIONS:</b>	D: 360mm   W: 340mm   H: 420mm
<b>PACKAGE DIMENSIONS:</b>	D: 370mm   W: 400mm   H: 430mm



## SAFETY INSTRUCTIONS FOR POWER TOOLS

To use this tool properly, you must observe the safety regulations, the assembly instructions and the operating instructions to be found in this Manual. All persons who use and service the machine have to be acquainted with this Manual and must be informed about its potential hazards. Children and infirm people must not use this tool. Children should be supervised at all times if they are in the area in which the tool is being used. It is also imperative that you observe the accident prevention regulations in force in your area. The same applies for general rules of occupational health and safety.

### WARNING:

When using power tools, basic safety precautions should always be taken to reduce the risk of fire, electric shock and personal injury. Also, please read and heed the advice given in the additional important safety instructions.

- 1. Keep the work area clean and tidy.** Cluttered work areas and benches invite accidents and injury.
- 2. Consider the environment in which you are working.** Do not use power tools in damp or wet locations. Keep the work area well lit. Do not expose power tools to rain. Do not use power tools in the presence of flammable liquids or gases.
- 3. Keep visitors away from the work area.** All visitors and onlookers, especially children and infirm persons, should be kept well away from where you are working. Do not let others in the vicinity make contact with the tool or extension cord.
- 4. Store tools safely.** When not in use, tools should be locked up out of reach.
- 5. Do not force the tool.** The tool will do the job better and safer working at the rate for which it was designed.
- 6. Use the correct tool for the job.** Do not force small tools or attachments to do the job best handled by a heavier duty tool. Never use a tool for a purpose for which it was not intended.

**7. Dress correctly.** Do not wear loose clothing or jewellery. They can be caught in moving parts. Rubber gloves and non-slip footwear are recommended when working outdoors. If you have long hair, wear a protective hair covering.

**8. Use safety accessories.** Safety glasses and earmuffs should always be worn. A face or dust mask is also required if the drilling operation creates dust.

**9. Secure the work piece.** Use clamps or a vice to hold the work piece. It is safer than using your hand and frees both hands to operate the tool.

**10. Do not overreach.** Keep your footing secure and balanced at all times.

**11. Look after your tools.** Keep tools sharp and clean for better and safer performance. Follow the instructions regarding lubrication and accessory changes. Inspect tool cords periodically and, if damaged, have them repaired by an authorised service facility. Inspect extension cords periodically and replace them if damaged. Keep tool handles dry, clean and free from oil and grease.

**12. Remove adjusting keys and wrenches.** Check to see that keys and adjusting wrenches are removed from the tool before switching on.

**13. Stay alert.** Watch what you are doing. Use common sense. Do not operate a tool when you are tired.

**14. Check for damaged parts.** Before using a tool, check that there are no damaged parts. If a part is slightly damaged, carefully determine if it will operate properly and perform its intended function. Check for alignment of moving parts, binding of moving parts, breakage of parts, proper mounting and any other conditions that may affect the operation of the tool. A part that is damaged should be properly repaired or replaced by an authorised service facility, unless otherwise indicated in this Instruction Manual.

**15. Use only approved parts.** When servicing, use only identical replacement parts. Use an authorised service facility to fit replacement parts.

### WARNING:

The use of an accessory or attachment, other than those recommended in this Instruction Manual, may present a risk of personal injury.



**IMPORTANT! READ AND UNDERSTAND BEFORE USING YOUR  
DURAVAC® M-CLASS MAXUM LUNG SAFE DUST EXTRACTION VACUUM CLEANER**

**3**

## PARTS INCLUDED



### PRODUCT NAME

- 1** 230 Volt Dust Safe Vacuum Cleaner – M-Class
- 2** Protected M-Class Filter – Washable
- 3** Dust Bag (Pack of 5)
- 4** 3m Yellow 32mm Hose
- 5** Complete Handle – 2x Straight Extensions + 1x Elbow
- 6** Carpet / Hard Floor Head
- 7** Hard Floor Sweeper Head
- 8** Crevice Tool / Brush Attachment
- 9** Universal Stepped PowerTool Adaptor

See page 14 for a full breakdown of parts and more information.



# SET UP AND USE

## UNBOXING AND SETTING UP YOUR VACUUM CLEANER

4



1 Open box



2 Undo head clips x3



3 Note accessories and wheels in tank



4 Remove accessories



5 Turn tank upside down



6 Insert front wheels





**IMPORTANT! READ AND UNDERSTAND BEFORE USING YOUR  
DURAVAC® M-CLASS MAXUM LUNG SAFE DUST EXTRACTION VACUUM CLEANER**

**5**



**7** Locate rear wheels



**8** Insert rear wheels (click and lock into place)



**9** Turn tank right way up



**10** Fit bag (ensuring that it is fully on)



**11** Ensure the filter retainer screw is tight



**12** Refit head and ensure all three clamps are fastened



# SET UP AND USE

## HOW TO USE YOUR VACUUM CLEANER

6



13 Push hose end into suction port



14 Turn clockwise to lock (gently pull to ensure it is locked)



15 Fit power tool adaptor to extract dust from power tools



16 Fit Crevice Tool / Brush attachment OR...



17 Attach elbow and 2x straight extensions followed by Carpet / Hard Floor Head or Hard Floor Sweeper Head





**IMPORTANT! READ AND UNDERSTAND BEFORE USING YOUR DURAVAC® M-CLASS MAXUM LUNG SAFE DUST EXTRACTION VACUUM CLEANER**

7



★ Carpet / Hard Floor Head for deep carpet cleaning



★ Hard Floor Sweeper Head to reduce dust while sweeping



18 Plug in device then press switch to turn extraction on/off



19 Check extraction velocity monitor



20 If monitor is red, press and hold Filter Shaker button for 10 seconds to clear filter (device/extraction must be on) If the monitor turns red only as and when you connect it to your power tool, ensure that the extraction passages of your tool are not blocked. If clear, it is OK to use. Just check the flow periodically by removing the extraction hose.







- 21** If red monitor continues the bag may be full. Open device and remove bag (making sure to close gate as shown before disposal)



- 22** If red monitor continues the filter may need washing. Undo filter retainer screw, remove filter and wash with warm soap water (this can be done by hand or in dishwasher). Filter must be allowed to dry thoroughly before refitting.



- 23** Ensure the seal around the retaining screw is in place before fitting filter



- 24** Refit filter and retainer screw and tighten



**IMPORTANT! READ AND UNDERSTAND BEFORE USING YOUR  
DURAVAC® M-CLASS MAXUM LUNG SAFE DUST EXTRACTION VACUUM CLEANER**

9



**25** After use, cable can be wrapped around handle...



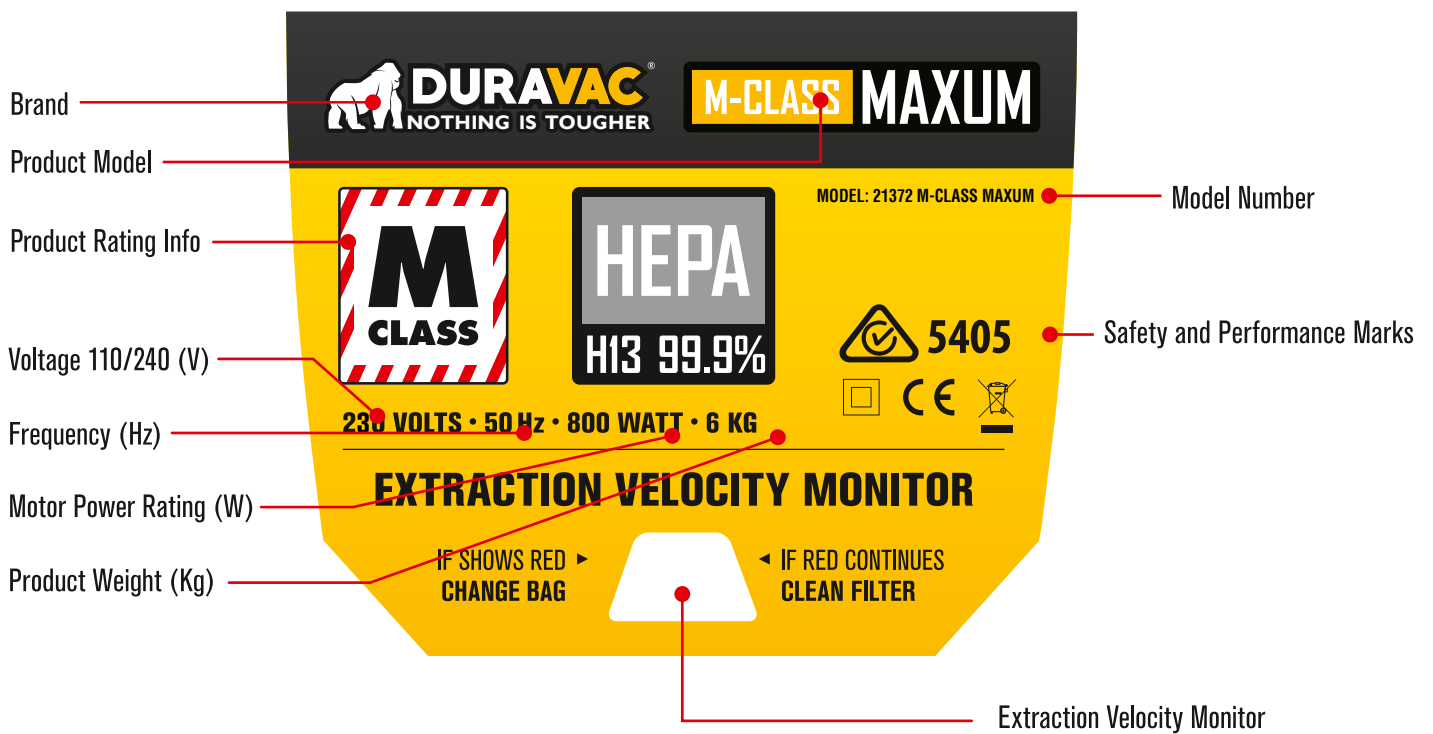
**26** ...with the plug fitted into handle slot



**27** To use the blow feature, simply connect the hose to the exhaust port on top of the unit (as you would to the suction port)



### THE RATING LABEL



### WEEE LEGISLATION

#### (WASTE, ELECTRICAL AND ELECTRONIC EQUIPMENT)

The machine and its accessories, along with its packaging, needs to be sorted for environmentally-friendly recycling. **This machine is not to be disposed of in household waste.**

The Waste Electrical and Electronic Equipment Directive (WEEE Directive) is the European Community directive 2012/19/EU on waste electrical and electronic equipment (WEEE) which, together with the RoHS Directive 2002/95/EC, became European Law in February 2003.





## IMPORTANT: PLEASE READ THESE DIRECTIVES TO ENSURE YOU GET THE BEST OUT OF YOUR MACHINE

- ✓ Clean machine with damp cloth or wipes. Never rinse or submerge.
  - ✓ Ensure the Filter is correctly fitted and clean before use.
  - ✓ Ensure that your cable and machine is not damaged.
  - ✓ Always use the machine with a genuine DURAVAC bag to ensure that you safely collect, contain and dispose of the dust.
  - ✓ Disconnect machine from the power supply before repairing, modifying and when not in use.
  - ✓ Operators must be sufficiently inducted on the use of this machine before use.
  - ✓ Routine and preventative maintenance must be performed on this machine to ensure safety and best performance.
  - ✓ Inspect the vacuum before and after use for damage. And damaged parts must be replaced with original parts.
  - ✓ Store the machine inside and in a dry place.
  - ✓ If your machine stops working or gets blocked, disconnect from power source before clearing or repairing your machine. Resume operation only once the blockage has been cleared or the relevant maintenance and tests have been done.
  - ✓ A risk assessment should be carried out to determine if any PPE (Personal protective Equipment) should be worn in conjunction with the use of this machine and whether the waste needs to be disposed of in a controlled manner.
  - ✗ NEVER use your extractor without a filter.
  - ✗ This is a dry dust machine. Do not use for liquid, hot debris, acids or solvents.
  - ✗ This machine is not to be used, maintained or tampered with by children or people with reduced mental or physical capabilities unless instructed or supervised.
  - ✗ This machine is not suitable for use with poisonous, combustible or explosive dust.
  - ✗ Keep the machine, cable and accessories away from heat and sharp or abrasive materials.
  - ✗ This machine must not be stored outside where it is exposed to the elements (sun, frost, rain, etc.).
  - ✗ Never tow the machine by its cable.
- 
- THIS MACHINE HAS BEEN TESTED AND CERTIFIED M-CLASS SO THAT IT PROTECTS THE OPERATOR AND OTHER PEOPLE IN THE VICINITY FROM HARMFUL AIRBORNE DUST. PLEASE READ AND UNDERSTAND THE 'M-CLASS' INSTRUCTIONS TO GUARANTEE SUFFICIENT PROTECTION (PAGE 23)**
- 
- FAILURE TO ADHERE TO THE ABOVE DIRECTIVES COULD LEAD TO DAMAGE OR HARM TO WHICH THE MANUFACTURER HAS NO RESPONSIBILITY**
- 

\*Contact DURAVAC if you would like us to assist you with this.



# THE M-CLASS CERTIFICATION

12



## IMPORTANT POINTS TO READ AND UNDERSTAND BEFORE USE



THE DURAVAC® M HAS BEEN DEVELOPED TO REDUCE FATAL LUNG DISEASES CAUSED BY EXPOSURE TO HARMFUL DUST. TO FACILITATE THE BEST POSSIBLE PROTECTION, YOU NEED TO ADHERE TO THE FOLLOWING REQUIREMENTS:

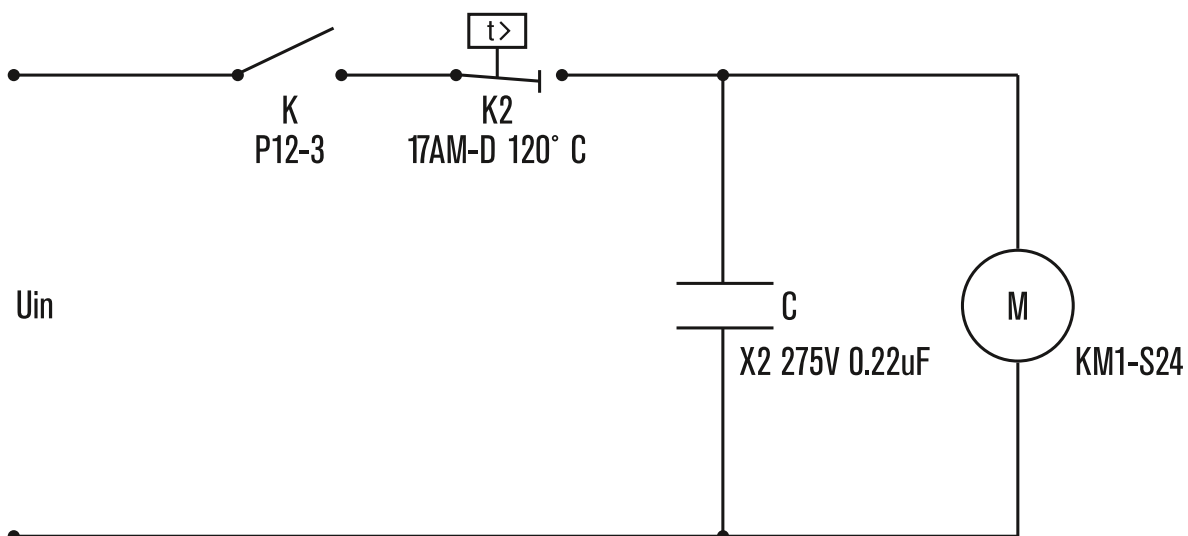
- 1 Your machine may become contaminated with harmful dust. Take appropriate action to avoid exposure when handling the machine. Waste must be disposed of in the correct manner.
- 2 Repairs and maintenance must be performed in an area that protects the operative from exposure and eliminates airborne dust.
- 3 Use a moist cloth to wipe dust rather than blowing with compressed air (unless you have a sufficient local exhaust ventilation system that protects the operator and sufficiently captures the dust).
- 4 Testing methodology can be found in IEC 60335-2.69 Annex AA (AA22.201.2). This determines the filtration efficiency. If it fails, a new genuine filter must be fitted and the test repeated until it passes.
- 5 All repair work must always be carried out by competent, authorised personnel fitted with suitable personal protection and done in an area that will not cause risk to others.
- 6 The HEPA cartridge filter must be inspected for damage to the seal, cap and filter medium.
- 7 In cases where the HEPA filter has entrenched contamination, rinse with warm water and leave to dry before use. If this fails to remove contamination, replace with a new genuine filter part. This is extremely important to ensure that you get the sufficient level of protection.
- 8 Any part of the machine must be disposed of according to current regulations.
- 9 It is important to ensure that your extraction velocity remains above 20 metres per second. The Extraction Velocity Monitor will turn red to notify when you do not have sufficient extraction. To refresh your extraction velocity, leave the extraction on and press and hold the Filter Shaker button for 10 seconds. Let go and check if the monitor is clear, if not, replace the bag. If the monitor continues to show red, remove the filter and give it a deep clean.

### IMPORTANT POINTS TO NOTE WHEN REMOVING AND REFITTING THE HEPA FILTER:

Remove the head from the base and place upside down on a workbench. Undo the wingnut that secures the filter // Remove the contaminated HEPA filter dispose of in the correct manner // Ensure the seal around the filter retaining screw is in place. There must be no gaps or objects preventing an air tight seal // Replace the HEPA filter with a genuine, identical part // Refit the filter retaining wingnut until thumb tight (torque 1.5Nm) // Recheck that the seal is constant with no gaps or items preventing an airtight seal // Replace the bag // Reposition head on the base and lock all three head clamps.



## WIRING DIAGRAM



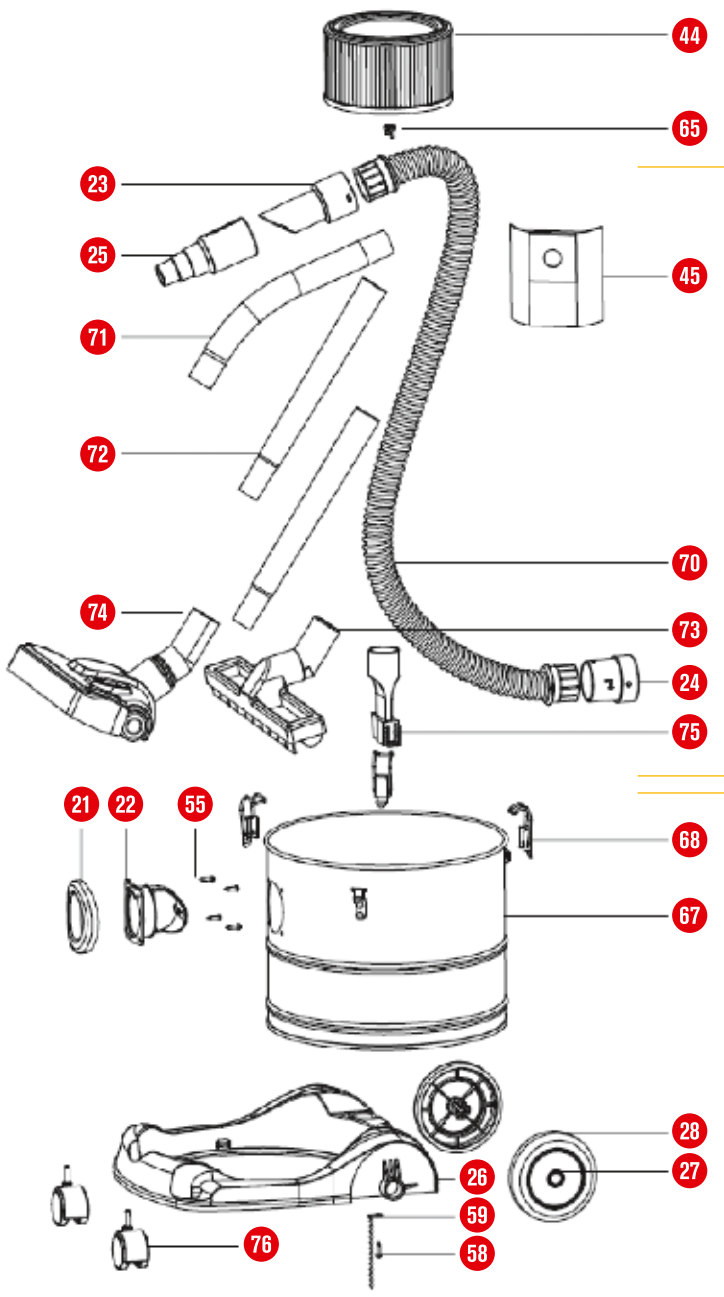
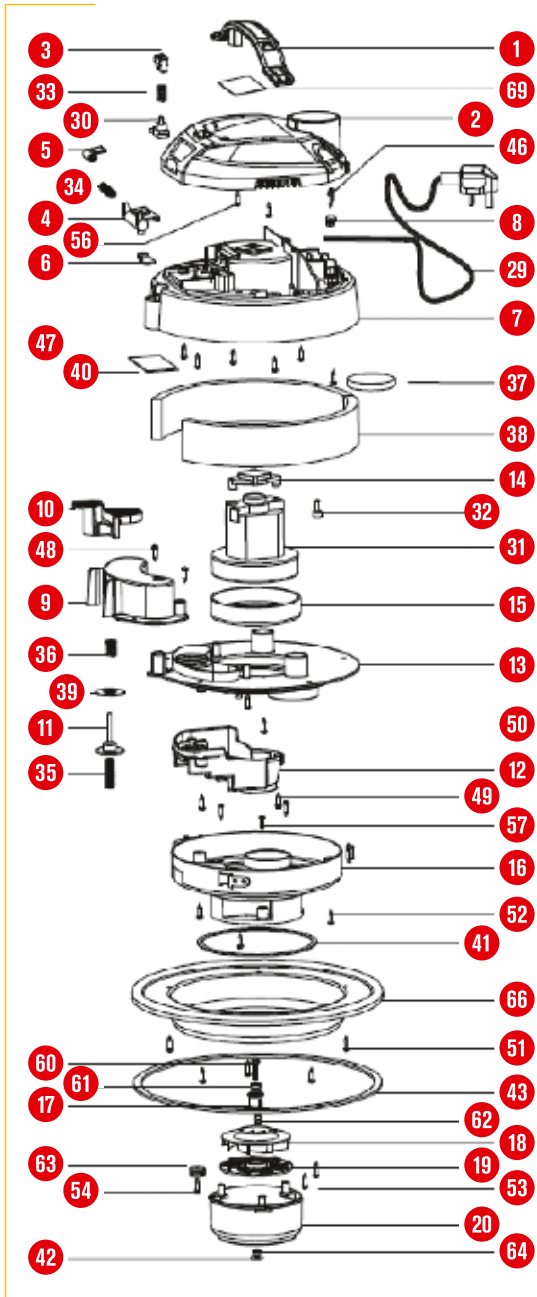
## ERROR DETECTION AND TROUBLESHOOTING

Before you contact our service centre, please check the following:

PROBLEM	POSSIBLE REASON	ADVICE
Motor does not start	<ul style="list-style-type: none"> <li>- Power cord not firmly plugged into outlet</li> <li>- Outlet damaged</li> <li>- Cleaner not switched on</li> <li>- Start motor temperature protection</li> </ul>	<ul style="list-style-type: none"> <li>- Plug unit firmly</li> <li>- Check the outlet</li> <li>- Switch on the appliance</li> <li>- Wait ~30 minutes to restart the machine</li> </ul>
Suction power is weaker	<ul style="list-style-type: none"> <li>- Unit clogged</li> <li>- Dust filter needs cleaning</li> <li>- Dust container not in position</li> </ul>	<ul style="list-style-type: none"> <li>- Remove the blockage</li> <li>- Clean the dust filter</li> <li>- Reattach the dust container to the cleaner</li> </ul>

# PARTS DIAGRAM AND LIST

VTM500 (110 VOLT) / VTM501 (240 VOLT) COMPLETE HEAD KIT



VTM503 COMPLETE ACCESSORIES KIT

VTM502 COMPLETE BASE KIT



## Warranty

Whilst every effort is made to ensure your complete satisfaction with this tool, occasionally, due to the mass manufacturing techniques, a tool may not live up to our required level of performance and you may need the assistance of our service department.

This product is warranted for 12 months use from the date of the original purchase. If found to be defective in materials or workmanship, the tool or the offending faulty component will be replaced free of charge with another of the same item. A small freight charge may apply. Proof of purchase is essential.

We reserve the right to reject any claim where the purchase cannot be verified. This warranty does not include damage or defects to the tool caused by or resulting from abuse, accidents, alterations or commercial or business use. It also does not cover any bonus items or included accessories. Only the generator is covered under this warranty.

Please ensure that you store your receipt in a safe place. Conditions apply to the above warranty.

### 1. DURATION:

The manufacturer warrants that it will repair or replace, at no charge for parts or labour, the DURAVAC M-Class Maxum, if proven defective in material or workmanship, during the following time period(s) after date of original retail purchase:

***For 12 months use - DURAVAC M-Class Maxum  
(excluding accessories)***

### 2. WHO GIVES THIS WARRANTY (Warrantor):

EUROQUIP NZ	EUROQUIP AUSTRALIA
Service Line:	Service Line:
+ + 64 3 547 8409	1 - 800 040 947

### 3. WHO RECEIVES THIS WARRANTY (Purchaser):

The original purchaser of this DURAVAC M-Class Maxum

### 4. WHAT IS COVERED UNDER THIS WARRANTY:

Defects in material and workmanship which occur within the duration of the warranty period.

### 5. WHAT IS NOT COVERED UNDER THIS WARRANTY:

- A. Implied warranties, including those of merchantability and FITNESS for a particular purpose are limited in duration to this express warranty. After this period, all risks of loss, from whatever reason, shall be on the purchaser.
- B. ANY INCIDENTAL, INDIRECT, OR CONSEQUENTIAL LOSS, DAMAGE, OR EXPENSE THAT MAY RESULT FROM ANY DEFECT, FAILURE OR MALFUNCTION OF THIS PRODUCT.
- C. This warranty does not apply to any accessory or consumable items included with the product which are subject to wear from usage; the repair or replacement of these items shall be at the expense of the owner. These items include, but are not limited to: sparkplugs, seals, o-rings, recoil starter parts, etc. In addition, this warranty does not extend to any damage caused by the untimely replacement or maintenance of any of the previously listed CONSUMABLE parts.
- D. Any failure that results from accident, purchaser's abuse, neglect or failure to operate products in accordance with instructions provided in the owner's manual(s) supplied with the product.
- E. Pre-delivery service, i.e. assembly and adjustment.

### 6. RESPONSIBILITIES OF WARRANTOR UNDER THIS WARRANTY:

Repair or replace, at Warrantor's option, products or components which have failed within duration of the warranty period.

### 7. RESPONSIBILITIES OF PURCHASER UNDER THIS WARRANTY:

- A. Please call your re-seller or the number listed above for warranty assistance.
- B. Provide dated proof of purchase and maintenance records.
- C. All vacuum must be delivered or shipped to the nearest Service Agent or re-seller. Freight costs, if any, must be borne by the purchaser.
- D. Use reasonable care in the operation and maintenance of the products as described in the owner's manual(s).
- E. No warranty costs incurred will be considered for, or covered if Euroquip has not been contacted and prior permission for repair / replacement has been granted.

### 8. WHEN WARRANTOR WILL PERFORM REPAIR OR REPLACEMENT UNDER THIS WARRANTY:

Repair or replacement will be scheduled and serviced according to the normal work flow at the servicing location and depending on the availability of replacement parts.





Congratulations on your new DURAVAC product. We are proud to have you as our customer and will strive to provide you with the best service and reliability in the industry. This product is backed by our extensive warranty. To locate your nearest distributor or service agency call **0800 387 678**, or email us at [customerservice@euroquip.co.nz](mailto:customerservice@euroquip.co.nz).

