

## EN Operating manual with spare parts list

Hand power sweeper  
**Colly 800**



This manual is a translation of the original manual. Read and conform safety instructions before use! Keep the leaflet for later use or any subsequent owners.



## Dear customer,

We would like to congratulate you on the purchase of your new hand power sweeper and thank you for your confidence in our products.

Your choice has fallen on an absolute quality product!!  
The Kränzle hand power sweepers stand out with their back-compatible sweeping, easy operation and space-saving storage.

The following pages explain the **Colly 800** to facilitate handling of the hand power sweeper.

Read and conform safety instructions before use! Keep the leaflet for later use or any subsequent owners.

<b>Contents</b> .....	2
<b>Explanatory symbols</b> .....	3
<b>Technical data</b> .....	4
<b>Safety notes</b> .....	5
<b>Description of the hand power sweeper</b> .....	6
<b>General rules</b> .....	8
<b>Mounting</b> .....	9
<b>Functional details / Putting into operation</b> .....	10
<b>Taking out of operation</b> .....	14
<b>Small repairs - do it yourself</b> .....	15
<b>Maintenance</b> .....	16
<b>Warranty</b> .....	17
<b>Spare parts list</b> .....	18

## Explanatory symbols used in the operating manual



Note on using the hand power sweeper.  
may cause excessive wear of the Colly 800 at unintended use.

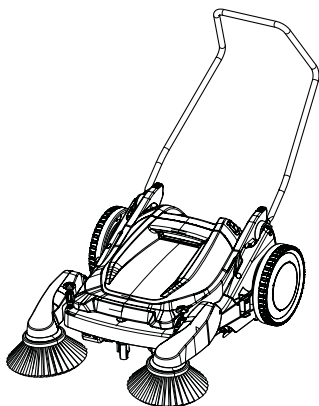


Warning!  
Failure to observe this note may result in serious injuries!

## Explanatory symbols affixed on the packaging



This symbol denotes recyclable packaging materials which must not be disposed of as household waste. Information on proper disposal will be gathered from the recycling directives issued by your local authority.



Technical data	Colly 800
Drive	Manual
Area sweeping capacity	2000 m <sup>2</sup> /h at 2.5 km/h
Side brushes	2 foldable side brushes mit height-adjustable
Drive wheels	Ø 300 mm
Sweeper roller	Ø 254 mm
Working width	800 mm
Bristles	Combined hard/soft star-shaped
Waste bin volume	30 liters
Push bar	Adjustable and foldable
Exhaust air filter	2 x 6000 mm <sup>2</sup> , PPI 45 filter
Dimensions L / W / H (with side brushes)	980 mm x 850 mm x 390 mm (push-bar folded in)
Space needed when standing	750 mm x 400 mm
Weight	19 kg
<b>Ord. no.</b>	<b>50079</b>

The hand power sweeper must be inspected for proper condition and operating safety before any use. If the condition is not impeccable, the hand power sweeper must not be used.

The person who operates the device must use it as intended and move it under consideration of the local situation. The user also must ensure that the device cannot harm any third parties in operation. Special attention must be paid to children!

Substances that are toxic, carcinogenic or flammable, such as arsenic, asbestos, barium, beryllium, lead, pesticides, or other substances harmful to health must not be cleaned up with this device.

The hand power sweeper is not intended for cleaning up any liquids, flammable or glowing objects such as cigarettes, matches, ash or similar.

There is a danger of crushing and shearing at the push bar, the waste bin, the side brushes and the belts. Use resilient gloves. This also applies when removing glass, metal or other pointed and sharp-edged materials from the waste bin.

Empty the waste bin of the hand power sweeper after every use.

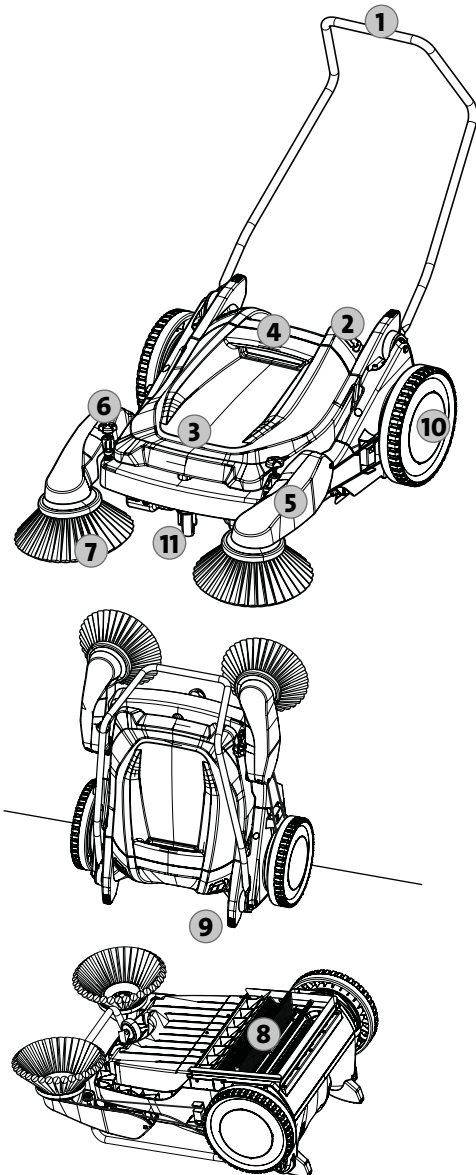
The hand power sweeper must be used in dry conditions. It must not be used or stored outdoors in wet conditions.

If used in elevated positions where there is a risk of the unit falling to the ground, it must be secured against rolling away or tipping over.

The hand power sweeper is not designed for use by persons with restricted physical, sensory or mental abilities (including children)!

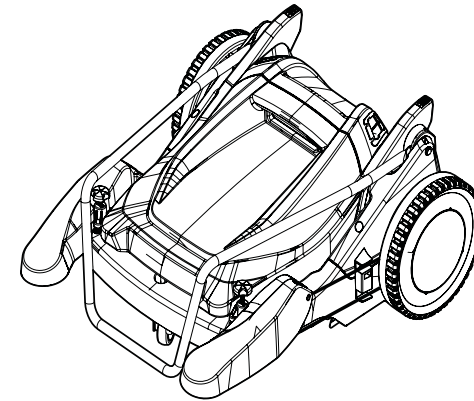
**Construction: Colly 800**

Please see construction scheme for more details.

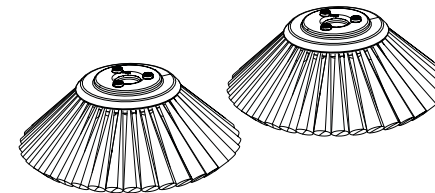


1. Ergonomically shaped and adjustable push bar
2. PPI 45 filter
3. Impact-resilient waste bin
4. Handle for easy lifting of waste bin
5. Folding side brush arms
6. Hand wheel for continuously height-adjustable side brushes
7. Side brushes
8. Sweeping roller with combined hard/soft star-shaped bristles
9. Pedestals for space-saving storage
10. Large wheels fitted with rubber tyres
11. Swivel castors

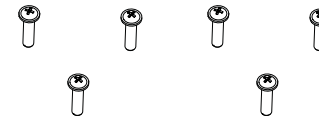
**This is what you have purchased:**



1. Kränzle Hand power sweeper Colly 800



2. 2 side brushes with left and right side arms



3. 6 Phillips screws



4. Operating manual  
Spare parts list

## Intended Use

The hand power sweeper Colly 800 is only built for the common application of sweeping indoor and outdoor areas such as production sites, storage halls, parking places, and pedestrian passages, and to collect dry material.

Any other use above and beyond is considered as improper use. The manufacturer shall not be responsible for any damages resulting from any such improper use. Intended use shall also include compliance with manufacturer specified maintenance intervals (refer to maintenance).

The power sweeper Colly 800 is intended for use on flat surfaces.

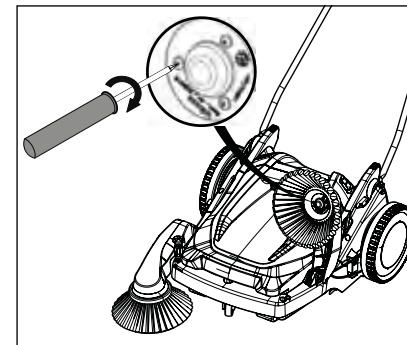
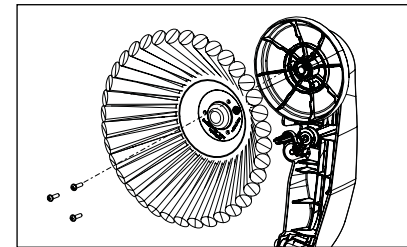
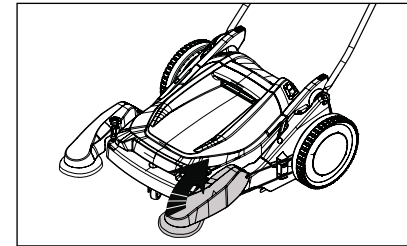
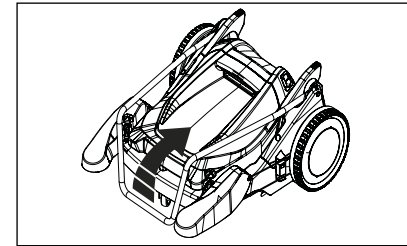
With the side brushes adjusted to the local situation, you can easily move the sweeper across the surface to be cleaned. This should be done at normal walking speed (approx. 2.5 km/h). The sweeping performance depends on the speed at which the hand power sweeper is pushed.



**The machine must not be used to remove hazardous dusts (refer to safety notes).**

## Disposal of the old device

Please dispose of devices via suitable collection systems at the end of their service lives. The devices contain valuable recyclable materials that should be reused.



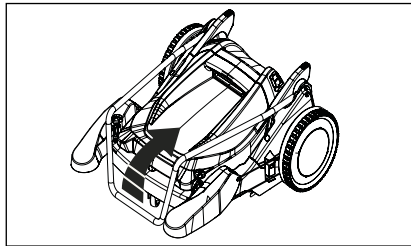
1. The side brushes must be installed after unpacking. Take the hand power sweeper from its packaging. First fold up the push bar and then the two side brush arms.

The side brush arms can be folded up individually as well if necessary.

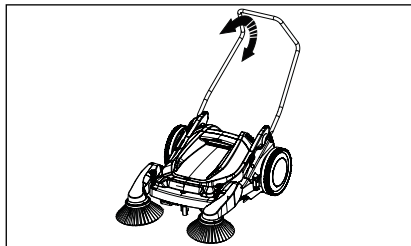
2. The packaging includes a separate box. It contains the two side brushes and 6 Phillips screws.

Attach a side brush to each side brush arm with three Phillips screws each. Use a suitable screwdriver (PZ2) for this.

### Setting the push bar

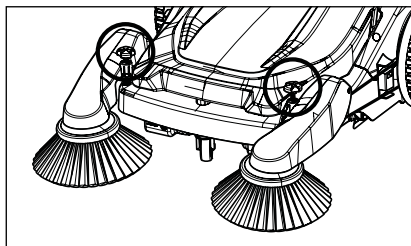


1. First fold the push bar up.

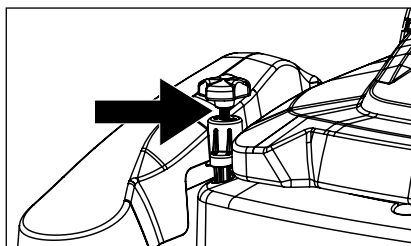


2. The push bar can be set to the desired working height. This is easier on your back.

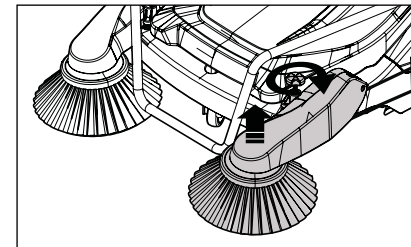
### Setting the side brushes



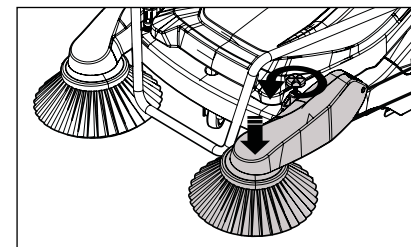
1. The hand wheel at the side brush arm sets the optional pressure against the ground for each side brush. It must be adjusted to the local situations until a good sweeping result is achieved.



2. The side brushes are pre-set to 7.5 mm in the factory.



2. Turning the hand wheel clockwise lifts the side brush and reduces pressure on the ground.



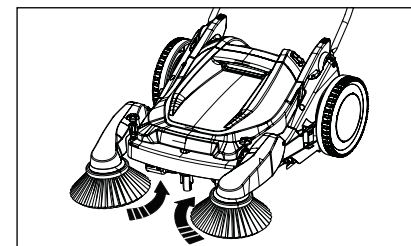
3. Turning the hand wheel counterclockwise lowers the side brush and increases pressure on the floor.



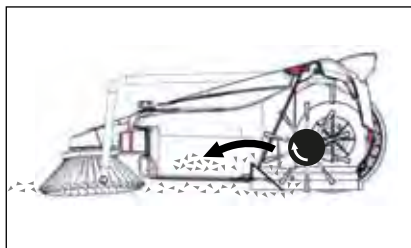
**If the pressure of the side brush is set too high, pushing requires a greater strength and the bristles of the side brush wear more quickly. The best sweeping result is achieved at 2.5 km/h. This is the normal walking speed of a pedestrian.**

### Dustpan principle

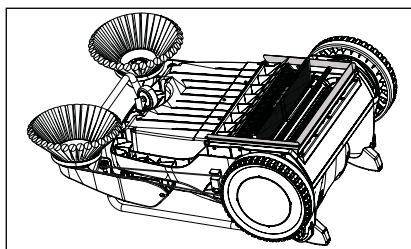
The Colly 800 works with a sweeping roller and two side brushes. When moving forward, the sweeping roller and the side brushes are powered. The smoothly moving Kränzle Colly 800 takes up, e.g., dust, cigarette stubs, leaves, smaller plastic and metal parts, in its large waste bin securely thanks to its double bristle sets (alternating hard and soft bristles).



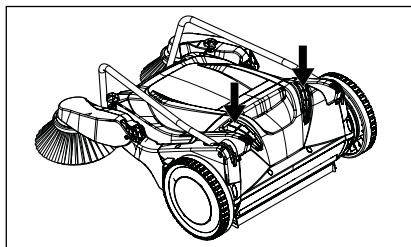
1. The two side brushes turn inwards while moving and send the swept-up material to the sweeping roller. A caster makes the Kränzle Colly 800 easily steerable, always keeps it at an even distance from the ground and ensures a completely even sweeping effect this way.



- The sweeping roller turns contrary to the travelling direction and transports the swept material into the waste bin (dustpan principle).



- The sweeping roller space is sealed against the floor with rubber lips on all sides. This keeps swirled-up dirt in the sweeper.



- The hand power sweeper is equipped with two PPI 45 air filters. They filter the air that enters the waste bin with the dirt.

### Moving to the place of deployment

The integrated freewheel will engage when reversing the Kränzle Colly 800. This deactivates the sweeping function. The sweeping roller and the two side brushes will no longer be powered then.

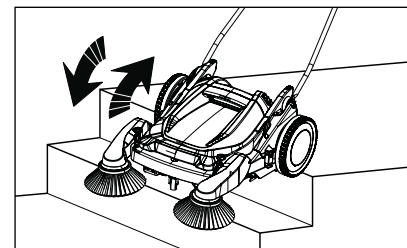


**Always observe the safety notes when using the hand power sweeper.**



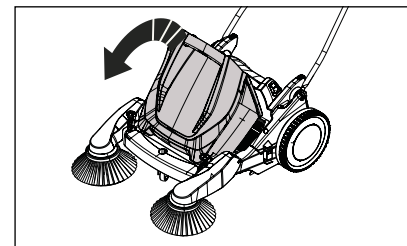
**The Colly 800 must not be placed and operated in puddles. The hand power sweeper must be used in dry conditions.**

### Navigating stairs

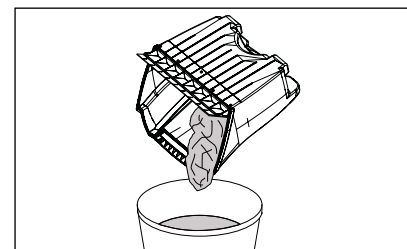


- Up the stairs: Simply pull the hand power sweeper up the steps behind you.
- Down the stairs: Carefully push the Colly down the steps before you.

### Emptying the waste bin

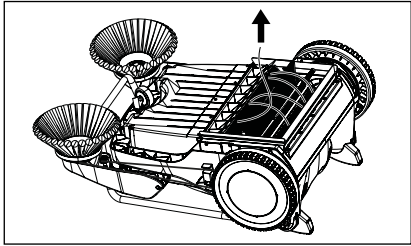


- The waste bin can be removed easily for emptying. The practical carry handle avoids contact with the swept-up material. The waste bin is designed to be placed upright on its feet.



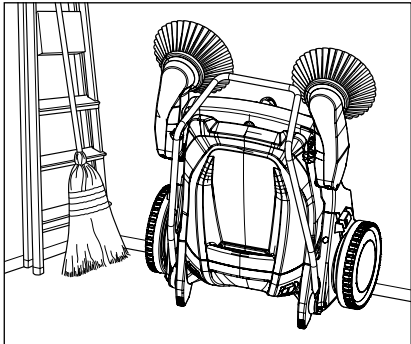
- To empty the waste bin, best hold it handle-down so that the rubber lip points towards you. Then pour the dirt over one corner of the waste bin. Dispose of the swept-up material according to its contents.

### Checking the sweeping rollers



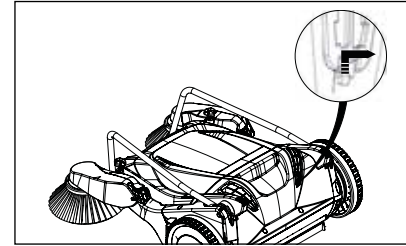
Always check if any thread, wires or ribbons have wound around the sweeping roller after use. They must be removed in order to ensure smooth movement, as well as proper operation of the sweeping roller.

### space-saving storage

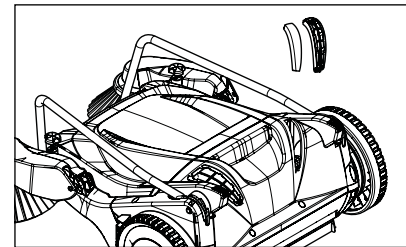


It can be stowed away space-savingsly in just a few steps to protect the bristles: Simply empty the container with the swept material, fold over the push bar and place the Kränzle Colly 800 vertically.

### Cleaning/replacing the filters

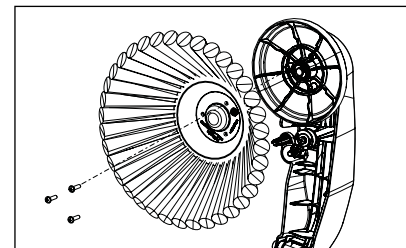


1. You can easily remove the two PPI 45 filters (left and right). For this, pull the lower tab up and pull the filters out of the hand power sweeper with their filter housing.



2. The filters can be removed from the filter housing and cleaned with compressed air. Replace the filters only with Kränzle genuine spare parts.

### Replacing the side brushes



1. Fold up the side brush arms and loosen the three screws with a suitable screwdriver (PZ2). Replace the worn side brush with a new one and attach it again with the screws. Use only genuine Kränzle spare parts.

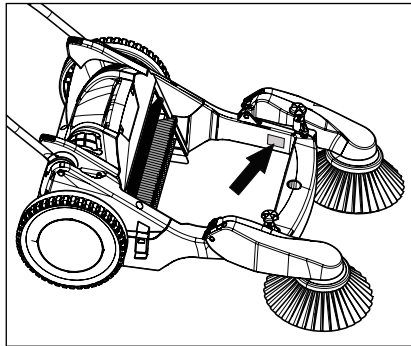


### After each use

1. Empty and clean the waste bin
2. Clean the hand power sweeper
3. Check the side brushes for wear
4. Check the sweeping roller for winding and wear

Compliance with this maintenance work recommended by us ensures that you always have a functional device ready to use.

If you are not in a position to carry out the specified operations yourself, please contact the nearest Kränzle service partner.



Please provide the device number indicated on the rating plate if you have any questions or want to order spare. Remove the waste bin. The rating plate is attached to the frame.

The warranty obligation of Josef Kränzle GmbH & Co. KG towards the dealer from whom you have purchased this Kränzle hand power sweeper (= product) applies to material faults only such as material and manufacturing defects.

Defects attributable to long and frequent use of the product, typically arising due to the age of the hand power sweeper and intensity of its use are defined as normal wear in respect of product components. Purchaser's rights to assert claims for such defects are ruled out. In particular the belts, side brushes with bristles and cogs are wear parts.

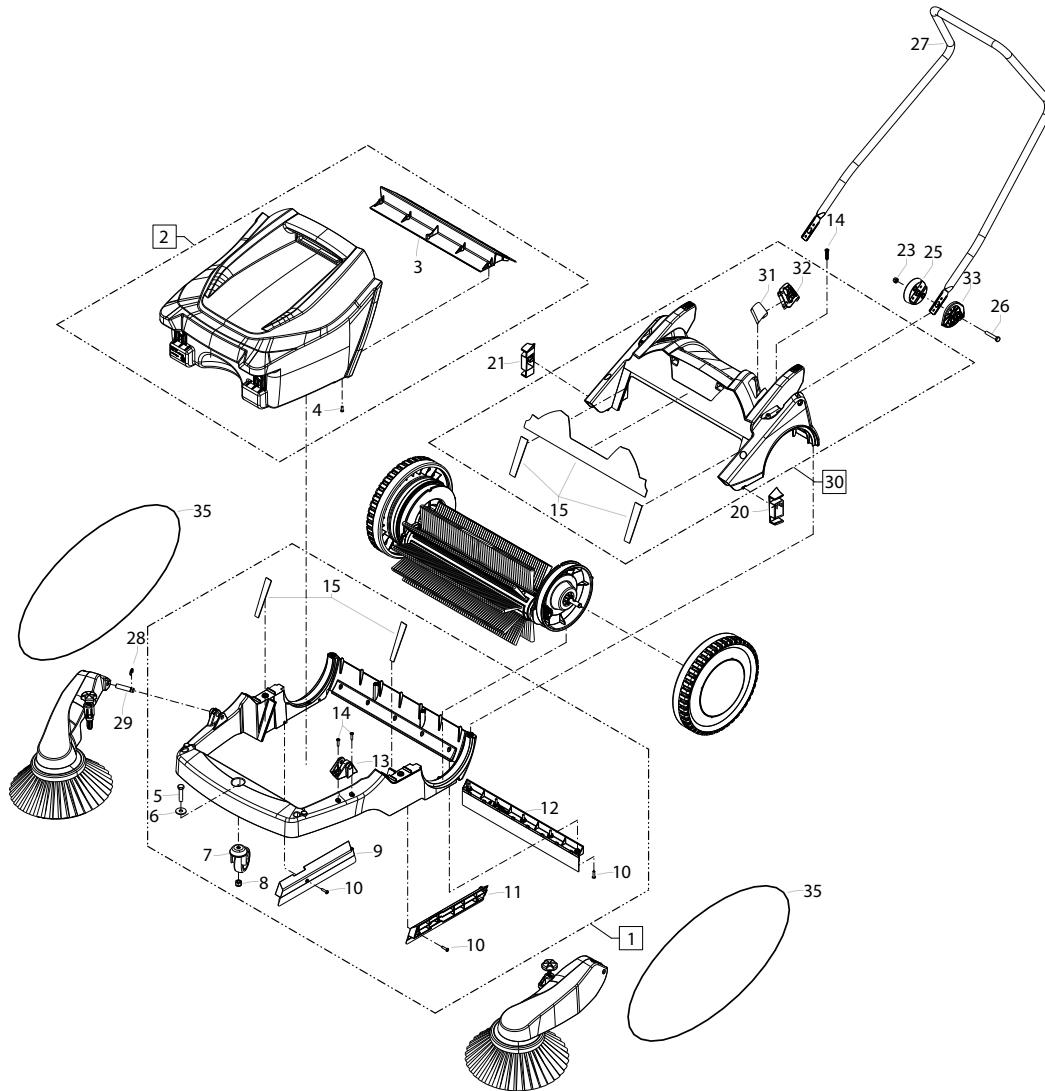
The product is to be operated in conformity with this operating manual. The operating manual is deemed to be part of the warranty provisions.

Changes to the safety devices of the product and wrong operation or non-intended use may cause damage to the product that is not a defect of material.

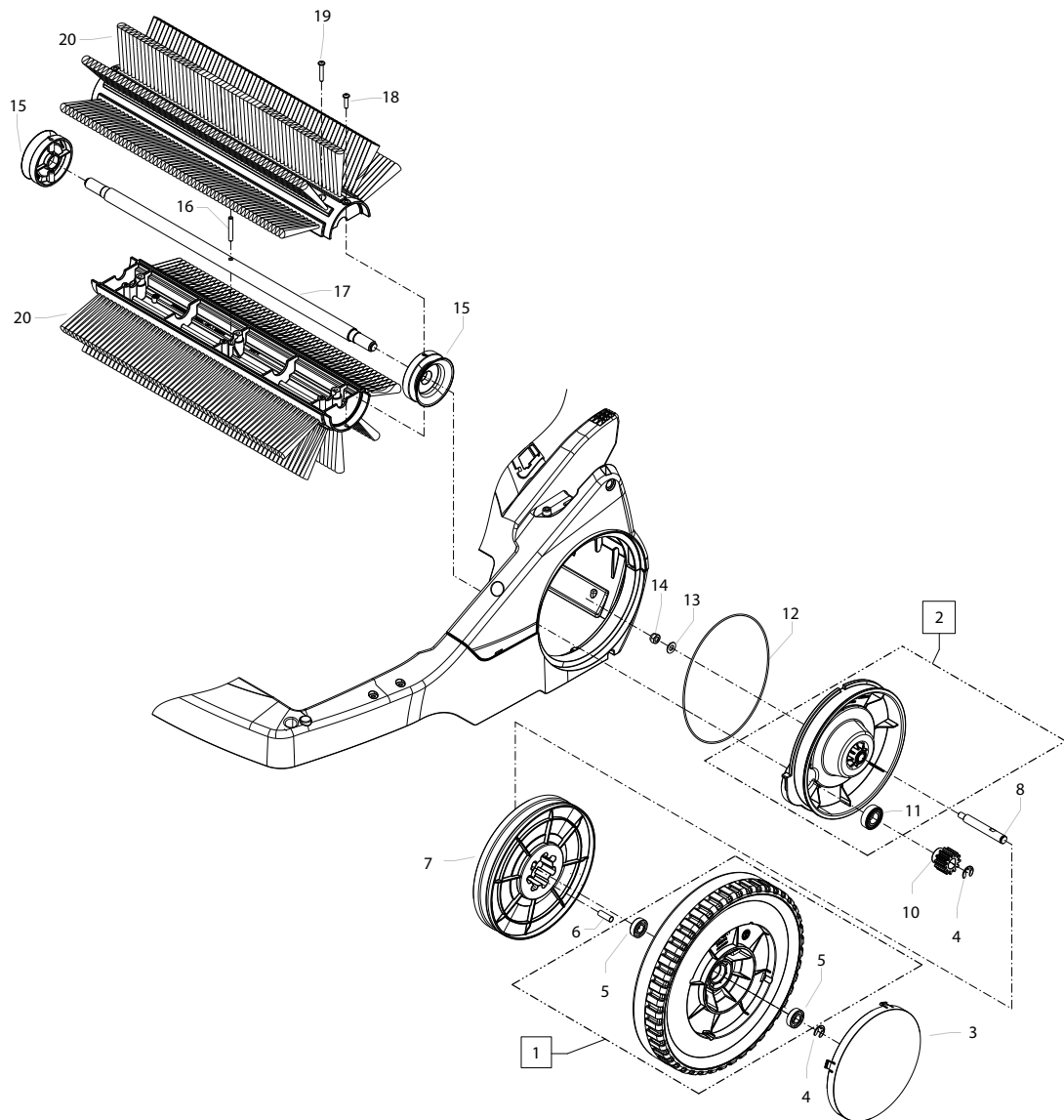
If use of other than genuine Kränzle spare parts is the cause of a defect of our product, this may void all warranty claims. Only use of genuine Kränzle spare parts that are adjusted to the respective Kränzle hand sweeping machine ensures safe and interference-free operation of the Kränzle hand power sweeper.

With regard to legal warranty claims, the limitation periods of the respective countries shall apply.

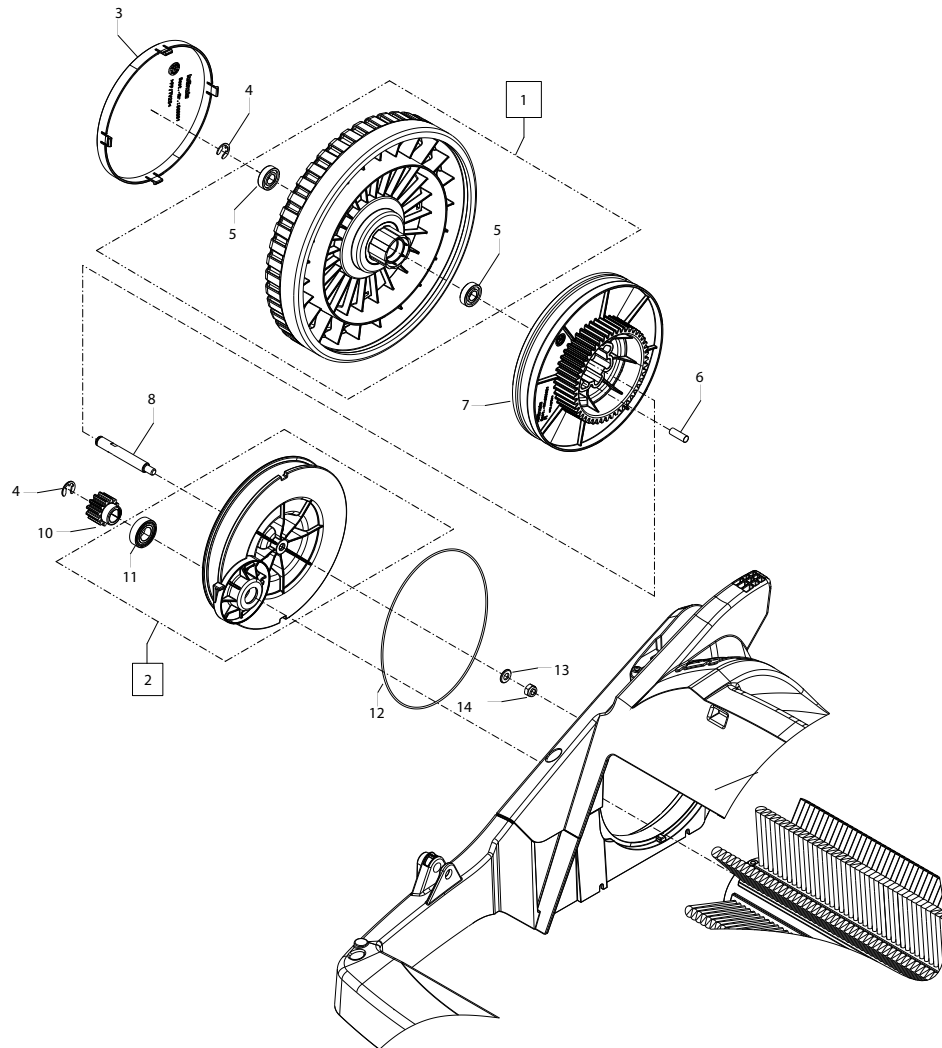
Where warranty claims apply to any other defects, please contact your local dealer, presenting the accessories together with your purchase receipt, or the nearest authorised service centre. This can also be found on the internet under **[www.kraenzle.com](http://www.kraenzle.com)**.



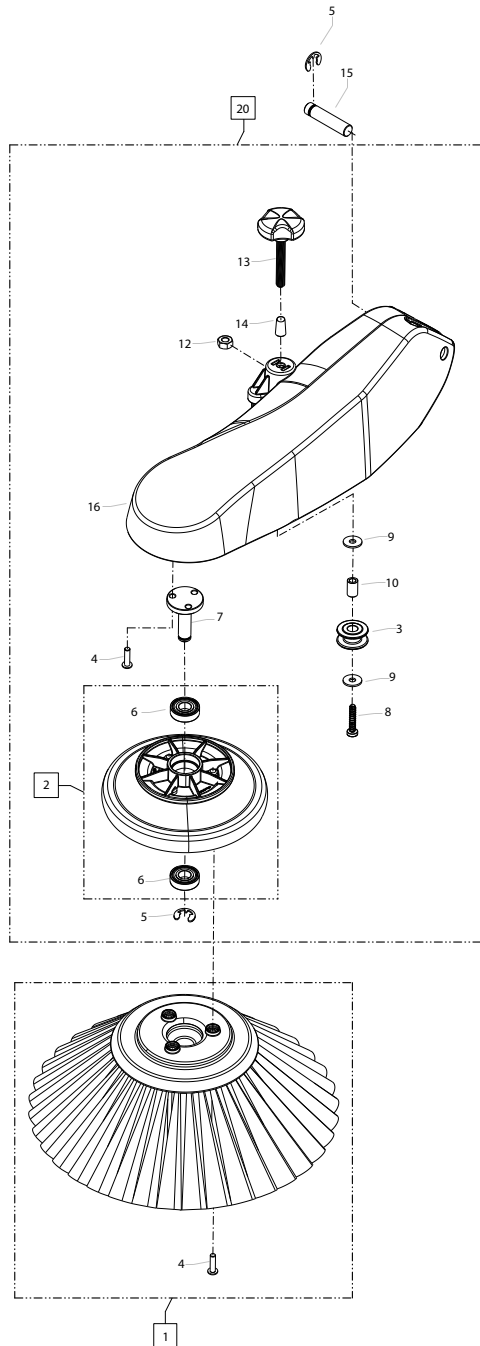
Position No	Bezeichnung Description	Stck. Qty.	Bestell-Nr. Item no.
1	Grundrahmen kpl.	1	505010
2	Behälter komplett	1	505012
3	Kehrleiste	1	505029
4	Kunststoffschraube 5,0 x 14	5	505075
5	Sechskantschraube M10 x 45	1	50180
6	Scheibe Ø 10,5 DIN 9021	1	50182
7	Lenkrolle	1	50164
8	Elastic-Stop-Mutter M10	1	40139
9	Staubleiste rechts	1	505024
10	Kunststoffschraube 5,0 x 20	11	43018
11	Staubleiste links	1	505025
12	Staubleiste hinten	1	505026
13	Lagerbock Seitenbesen links	1	505061
14	Kunststoffschraube 6,0 x 30	8	43423
15	Behälterabdichtung Colly (5-Teilig)	1	505066
20	Riemenführung links	1	505063
21	Riemenführung rechts	1	505064
23	Elastic-Stop-Mutter M8	2	41410
24	Gelenkschale	2	505068
26	Sechskantschraube M8 x 45	2	42815
27	Schubbügel	1	505051
28	Sicherungsscheibe 10 DIN6799	2	50133
29	Gelenkbolzen Seitenbesenarm	2	505050
30	Abdeckrahmen	1	505011
31	Schaumstofffilter	2	505071
32	Entlüftungsrahmen links, rechts	1	505070
33	Arretierplatte rechts, links	1	505069
<b>35</b>	<b>Rundriemen für Seitenbesen</b>	<b>2</b>	<b>505057</b>



Position No	Bezeichnung Description	Stck. Qty.	Bestell-Nr. Item no.
1	Rad Ø300 mit Lager	1	505013
2	Getriebeabdeckung links	1	505016
3	Radkappe	1	505031
4	Sicherungsscheibe 10 DIN 6799	2	50133
5	Lager 6001 2Z	2	50156
6	Mitnehmer Kehrwalze	7	50111
7	Riemenantrieb links	1	505022
8	Achse M8 x 1	1	505058
10	Zahnrad z=12	1	505020
11	Lager 6003-RS	1	51039
12	O-Ring 190 x 2,0	1	505067
13	Unterlegscheibe 8,4 DIN 125	1	50186
14	Elastic-Stop-Mutter M8 x 1	1	14152
15	Fadenfänger	2	505030
16	Bolzen 5 x 50	1	505072
17	Welle Kehrwalze	1	505053
18	Kunststoffschraube 5,0 x 16	2	505075
19	Kunststoffschraube 6,0 x 30	6	43423
<b>20</b>	<b>Kehrwalze (2 Halbschalen)</b>	<b>1</b>	<b>505014</b>



Position No	Bezeichnung Description	Stck. Qty.	Bestell-Nr. Item no.
1	Rad Ø300 mit Lager	1	505013
2	Getriebeabdeckung rechts	1	505015
3	Radkappe	1	505031
4	Sicherungsscheibe 10 DIN 6799	2	50133
5	Lager 6001 2Z	2	50156
6	Mitnehmer Kehrwalze	7	50111
7	Riemenantrieb rechts	1	505021
8	Achse M8 x 1	1	505058
10	Zahnrad z=12	1	505020
11	Lager 6003-RS	1	51039
12	O-Ring 190 x 2,0	1	505067
13	Unterlegscheibe 8,4 DIN 125	1	50186
14	Elastic-Stop-Mutter M8 x 1	1	14152



Position No	Bezeichnung Description	Stck. Qty.	Bestell-Nr. Item no.
1	Seitenbesen	1	505018
2	Antriebsrad Seitenbesen	1	505019
3	Führungsrolle	1	505017
4	Kunststoffschraube 5,0 x 16	6	505075
5	Sicherungsscheibe 10 DIN 6799	2	50133
6	Lager 6001 ZZ	2	50156
7	Lagerbolzen Seitenbesen	1	505055
8	Kunststoffschraube 6,0 x 30	1	43423
9	Unterlegscheibe 6,4 DIN 9021	2	50174
10	Buchse Führungsrolle	1	505059
12	Mutter M8 DIN 934-8	1	14127
13	Stellschraube M8	1	505054
14	Kappe Stellschraube M8	1	505065
15	Gelenkbolzen Seitenarm	1	505050
16	Abdeckung Seitenbesen links	1	505062
<b>20</b>	<b>Seitenbesenarm links kpl. ohne Seitenbesen</b>	<b>1</b>	<b>505090</b>

